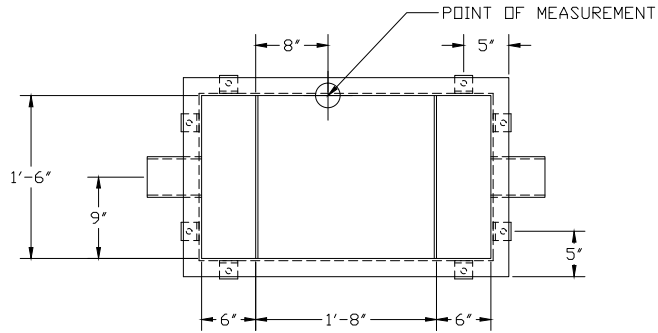
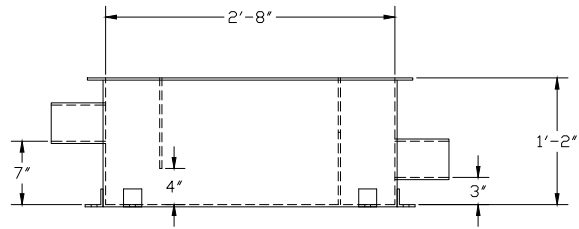


8 7 6 5 4 3 2 1

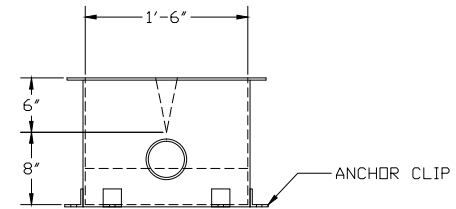
FLOW METER:	N/A
CONNECTION:	4" DIA. C.I./PVC PIPE
ACCESSORIES:	NONE



PLAN VIEW



RIGHT ELEVATION VIEW



DISCHARGE ELEVATION VIEW

- 1) FLOW IS FROM LEFT TO RIGHT
- 2) SIZED PER ISO 1438/1-1990
- 3) OPEN CHANNEL CONDITIONS MUST BE PRESENT
- 4) FIXED 22-1/2' V-NOTCH WEIR AND BAFFLE PLATES
- 5) SIDE STIFFENING RIBS NOT SHOWN FOR CLARITY

	SMALL WEIR BOX, 18" W X 32" L X 14" H, WITH FIXED 22-1/2' V-NOTCH WEIR PLATE, FIXED BAFFLE PLATE, 4" PIPE STUBS	
	DWG. NO. WB-SM-22V-B-P4-N-N-N-N	REV 0
PROJECT	STANDARD WEIR BOX SIZE	DATE 8/6/12

8 7 6 5 4 3 2 1