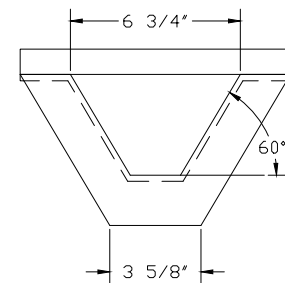
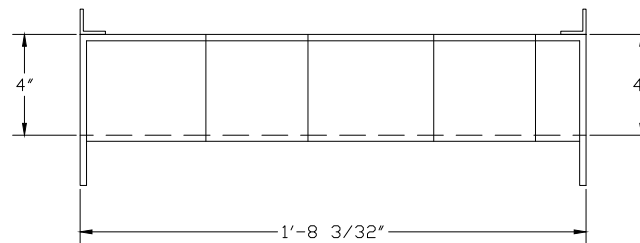
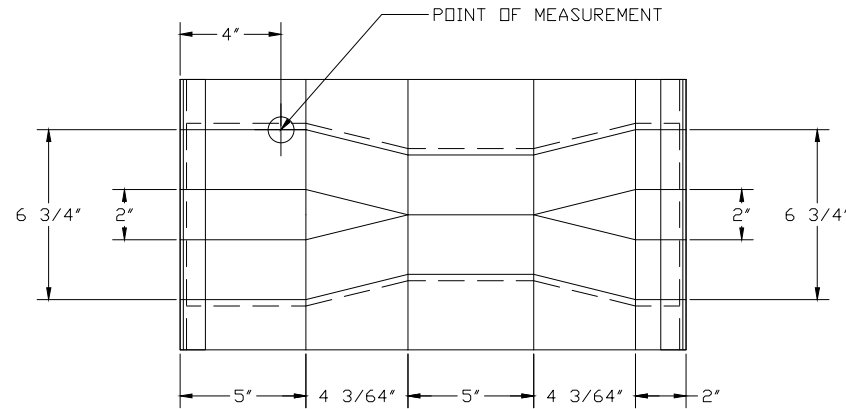



FLOW METER:	N/A
CONNECTION:	N/A
HDR:	1" X 1" PULTRUSION
ACCESSORIES:	NONE



1) FLOW IS FROM LEFT TO RIGHT

 FIBERGLASS PRODUCTS	SMALL 60° V TRAPEZOIDAL FLUME	
	DWG. NO.	TRAP-S60-N-N-N-N-N-N
PROJECT	STANDARD FLUME SIZE	DATE 7/12/04
		REV 0