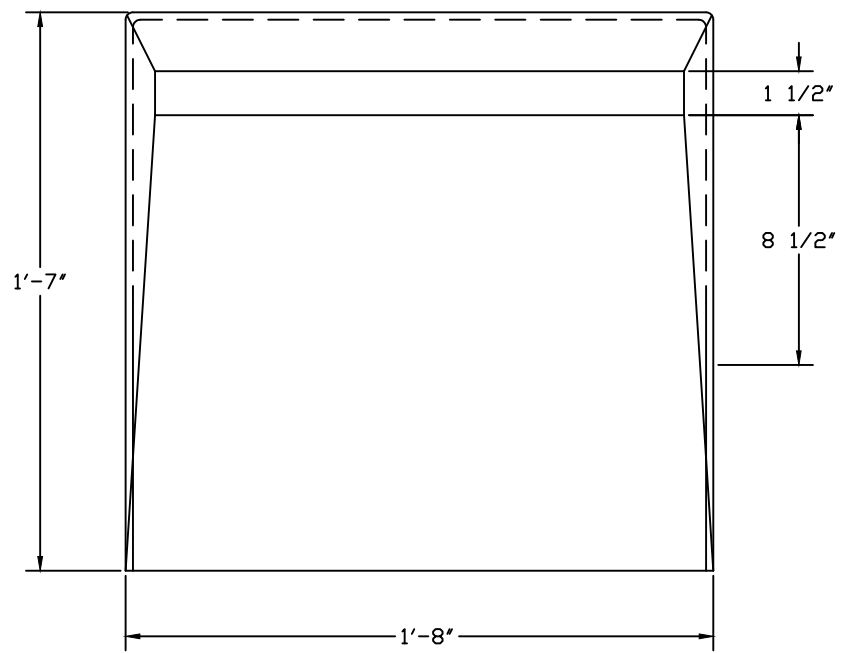
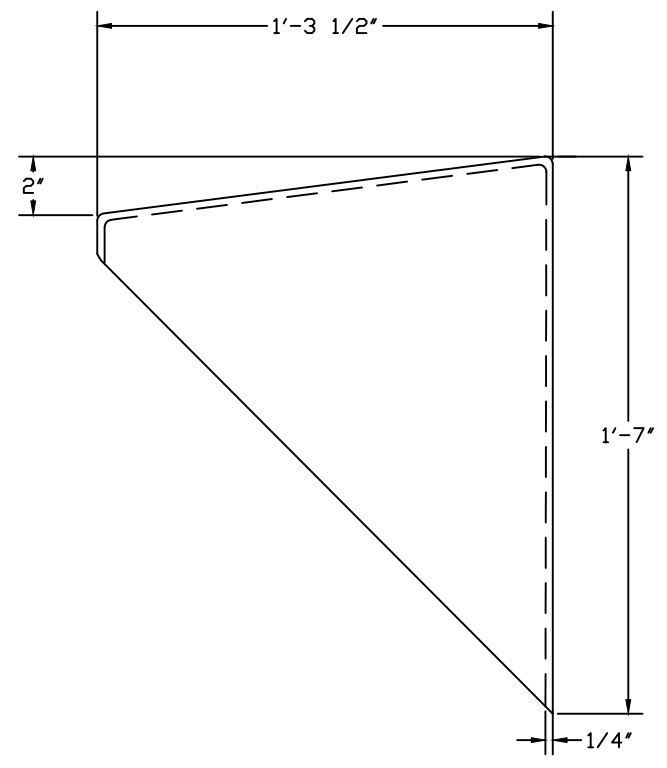


8 7 6 5 4 3 2 1

| | |
|-----------------|------------------|
| EXTERIOR COLOR: | #1540 PURE WHITE |
| INTERIOR COLOR: | #1540 PURE WHITE |
| FEATURES: | BLACK EDGE TRIM |




FRONT ELEVATION



RIGHT ELEVATION

- 1) EDGE TRIM NOT SHOWN FOR CLARITY
- 2) ALL VALUES ARE ACCURATE TO 1/8"

| | | |
|--|---|-----|
|  FIBERGLASS PRODUCTS | SUN-20 INSTRUMENT SUNSHADE, 20" W X 15" D X 19" H | |
| | DWG. NO. | REV |
| PROJECT | DATE | |
| STANDARD DRAWING | 3/13/15 | |

8 7 6 5 4 3 2 1

H
G
F
E
D
C
B
A

H
G
F
E
D
C
B
A