

8

7

6

5

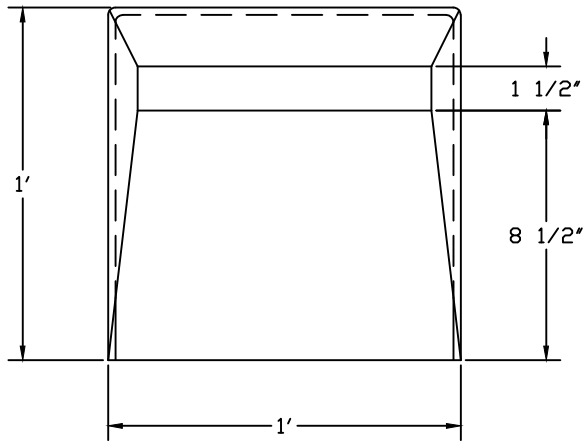
4

3

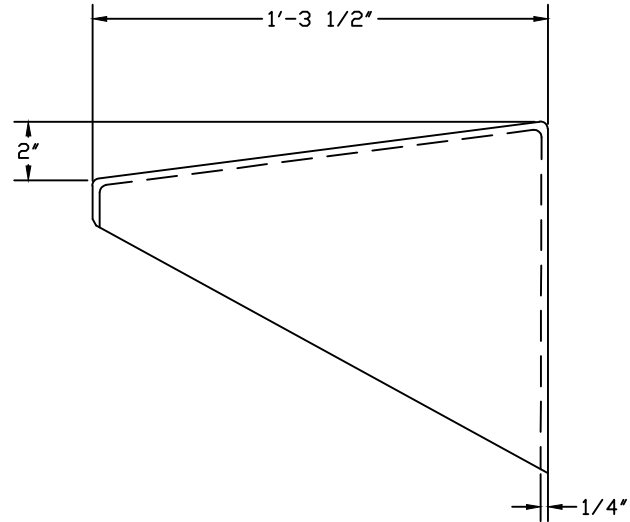
2

1

EXTERIOR COLOR:	#1540 PURE WHITE
INTERIOR COLOR:	#1540 PURE WHITE
FEATURES:	BLACK EDGE TRIM (M)



FRONT ELEVATION



RIGHT ELEVATION

- 1) EDGE TRIM NOT SHOWN FOR CLARITY
- 2) ALL VALUES ARE ACCURATE TO 1/8"

	SUN-10 INSTRUMENT SUNSHADE, 12" W X 15-1/2" D X 12" H	
	DWG. NO.	REV
PROJECT	SUN-10-01	DATE 3/19/15
STANDARD DRAWING		0

8

7

6

5

4

3

2

1