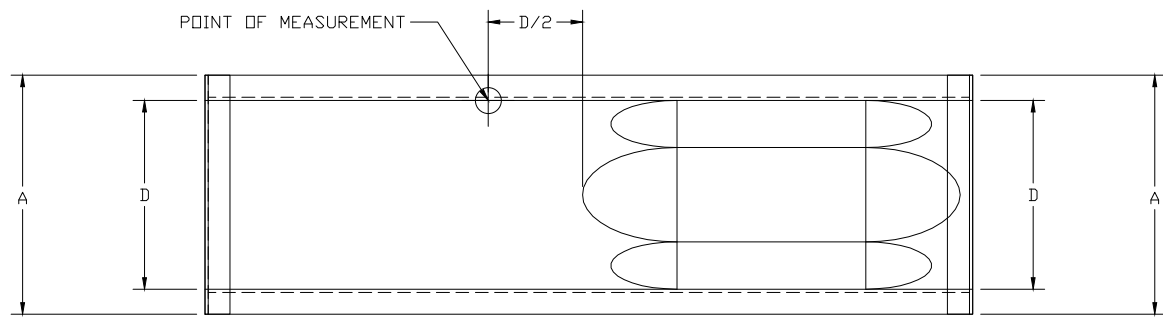
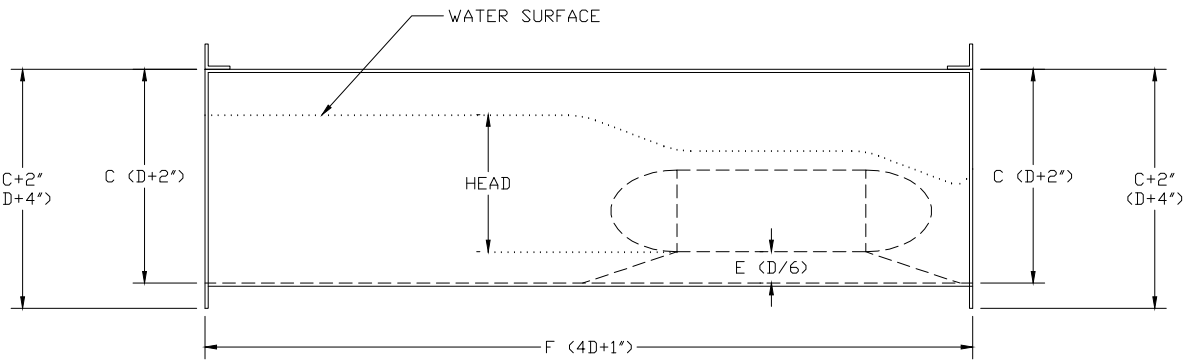


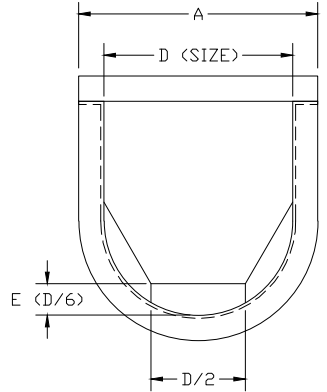
D (SIZE)	A	B	C	E	F	MIN FLOW RATE	MIN FLOW RATE
4"	8"	2"	6"	3"	17"	5	55
6"	10"	3"	8"	1"	25"	15	148
8"	12"	4"	10"	1 1/2"	33"	24	213
10"	14"	5"	12"	1 3/4"	41"	41	521
12"	16"	6"	14"	2"	49"	89	817
15"	19"	7 1/2"	17"	2 1/2"	61"	148	1,450
18"	24"	9"	20"	3"	73"	239	2,271
21"	27"	10 1/2"	23"	3 1/2"	85"	356	3,322
24"	30"	12"	26"	4"	97"	505	4,622
27"	33"	13 1/2"	29"	4 1/2"	109"	660	6,259
30"	36"	15"	32"	5"	121"	868	8,116
33"	39"	16 1/2"	35"	5 1/2"	133"	(2)	(2)
36"	41"	18"	38"	6"	145"	1,392	12,736
42"	48"	21"	44"	7"	169"	2,023	18,794
48"	54"	24"	50"	8"	193"	2,858	26,145



PLAN VIEW



RIGHT ELEVATION



DISCHARGE ELEVATION

- 1) FLOW IS FROM LEFT TO RIGHT
- 2) CONSULT THE FACTORY
- 3) UPSTREAM PIPE SLOPE MUST NOT EXCEED 3%
- 4) 25 PIPE DIAMETERS OF UPSTREAM STRAIGHT PIPE RECOMMENDED
- 5) FLOW ENTERING THE FLUME MUST BE SUBCRITICAL, TRANQUIL, AND UNIFORMLY DISTRIBUTED
- 6) THE HEAD IS: THE DEPTH FROM THE WATER SURFACE TO THE FLUME FLOOR, MINUS THE HEIGH OF THE THROAT RAMP "E"

TRACOM FIBERGLASS PRODUCTS	PALMER-BOWLUS FLUME, 4D+1" PERMANENT STYLE, MASTER DIMENSIONS (ENGLISH UNITS)	
	DWG. NO. PB-4D-MD-E	REV 1
PROJECT	STANDARD FLUME SIZES	DATE 8/3/12