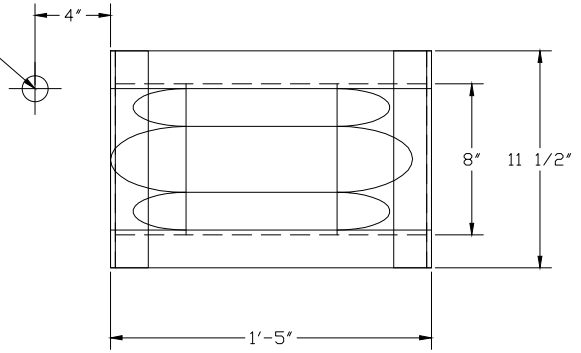
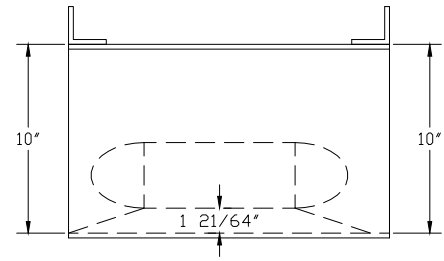


FLOW METER:	N/A
CONNECTION:	N/A
HDR:	2" X 2" PULTRUSION
ACCESSORIES:	NONE

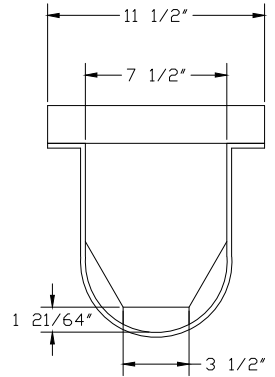
POINT OF MEASUREMENT



PLAN VIEW




RIGHT ELEVATION



DISCHARGE ELEVATION

1) FLOW IS FROM LEFT TO RIGHT

 FIBERGLASS PRODUCTS	PALMER-BOWLUS FLUME, 8 INCH SIZE, INSERT STYLE	
	DWG. NO.	PB-8-I-N-N-N-N-N-N-N
PROJECT		DATE 12/30/04
STANDARD FLUME SIZE		REV 0