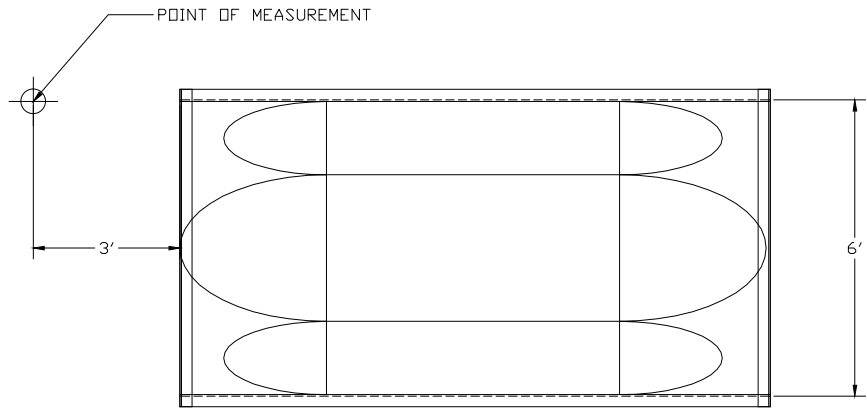
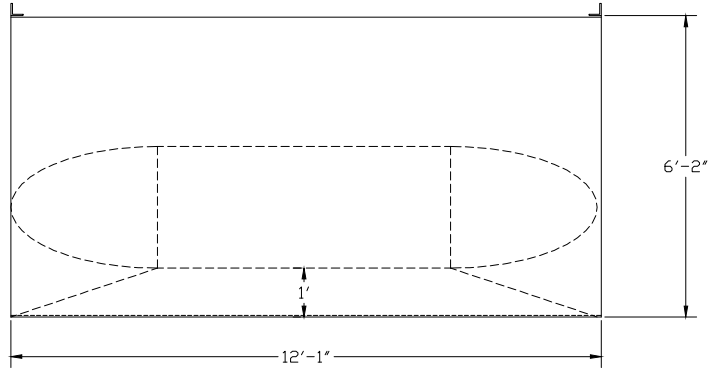


FLOW METER:	N/A
CONNECTION:	CONCRETE PIPE
HDR:	3" X 3" PULTRUSION
ACCESSORIES:	NONE




PLAN VIEW



ELEVATION VIEW

- 1) FLOW IS FROM LEFT TO RIGHT
- 2) POINT OF MEASUREMENT IS 3'-0" UPSTREAM OF FLUME

 FIBERGLASS PRODUCTS	PALMER-BOWLUS FLUME, 72 INCH SIZE, INSERT STYLE	
	DWG. NO. PB-72-I-N-N-N-N-N-N-N-N	REV 0
PROJECT	MHW PORTLAND, OR	DATE 8/21/09