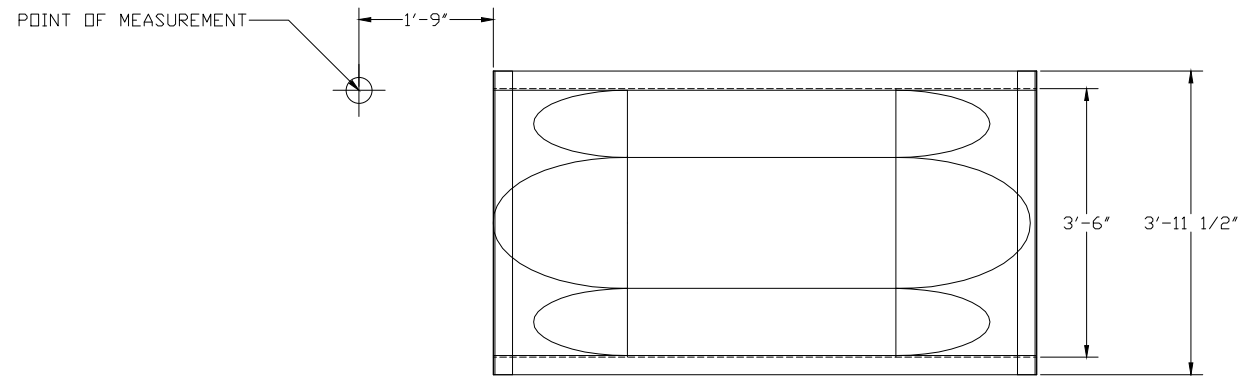
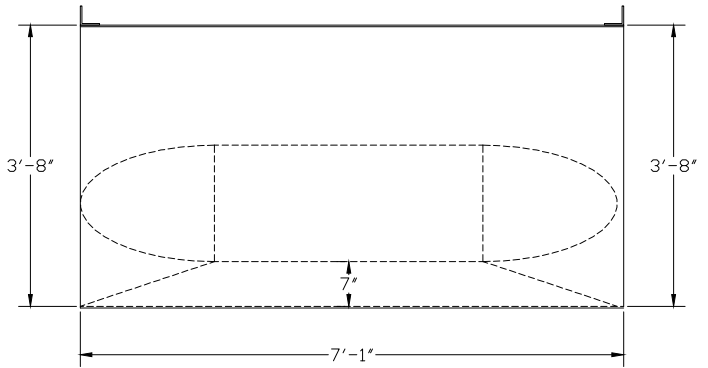


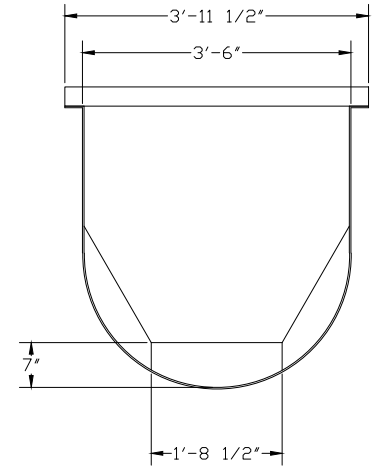
FLOW METER:	N/A
CONNECTION:	N/A
HDR:	2" X 2" PULTRUSION
ACCESSORIES:	NONE



PLAN VIEW




RIGHT ELEVATION



DISCHARGE ELEVATION

- 1) FLOW IS FROM LEFT TO RIGHT
- 2) BOTH FLUMES TO BE IDENTICAL

 FIBERGLASS PRODUCTS	PALMER-BOWLUS FLUME, SIZE 42 INCH, INSERT STYLE	
	DWG. NO. PB-42-I-N-N-N-N-N-N-N	REV 0
PROJECT	MEDICION Y CONTROL PARA AGUAS DE AMERICA SA DE CV	DATE 8/31/09