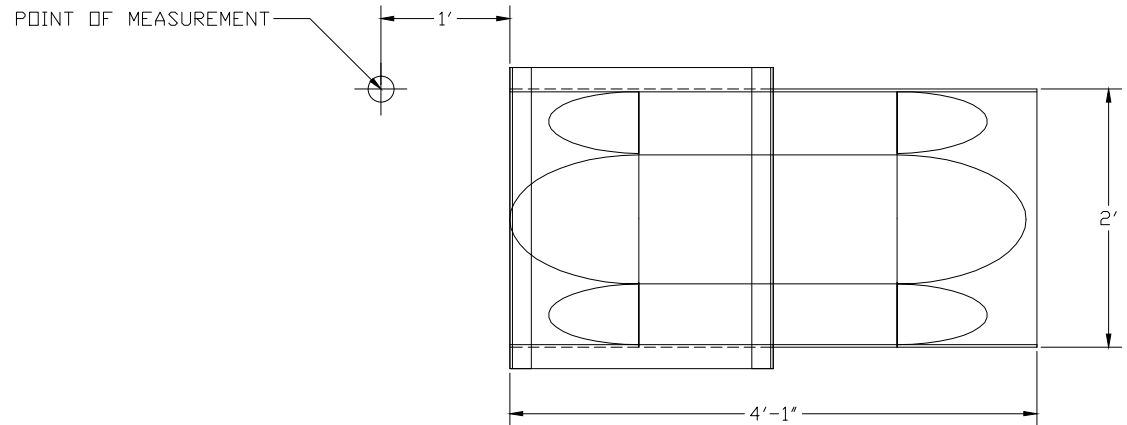
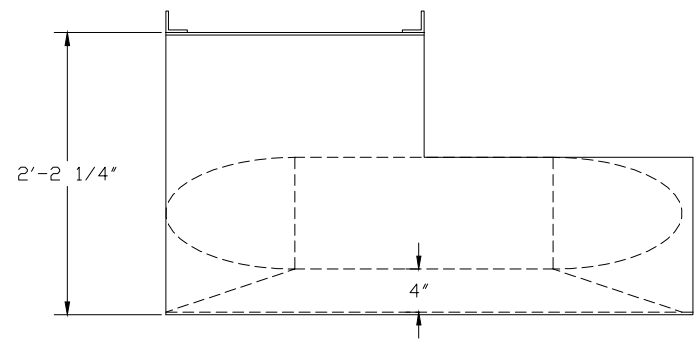


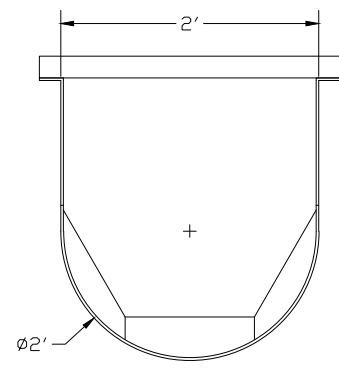
FLOW METER:	ULTRASONIC - BY OTHERS
CONNECTION:	N/A
HDR:	2" X 2" PULTRUSION
ACCESSORIES:	STAFF GAUGE (AD/ENGLISH) FRP GRATING WITH SENSOR CUT-OUT



PLAN VIEW




ELEVATION VIEW



DISCHARGE ELEVATION VIEW

1) FLOW IS FROM LEFT TO RIGHT

 FIBERGLASS PRODUCTS	PALMER-BOWLUS FLUME, SIZE 24 INCH, INSERT STYLE	
	DWG. NO.	REV
PROJECT	STANDARD FLUME SIZE	DATE
		1/25/11
		0