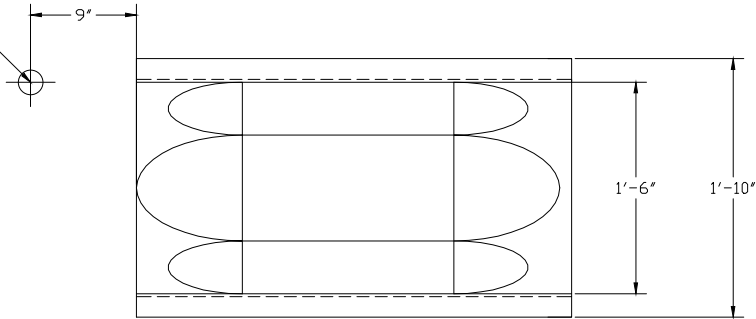


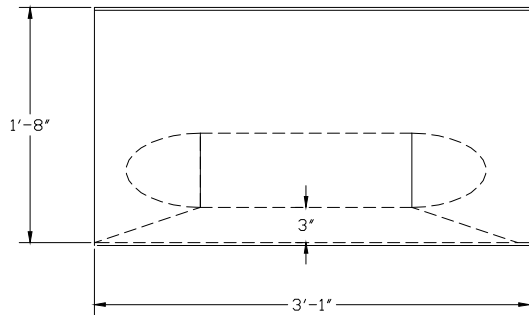
8 7 6 5 4 3 2 1

FLOW METER:	N/A
CONNECTION:	N/A
HDR:	2" X 2" PULTRUSION
ACCESSORIES:	NONE

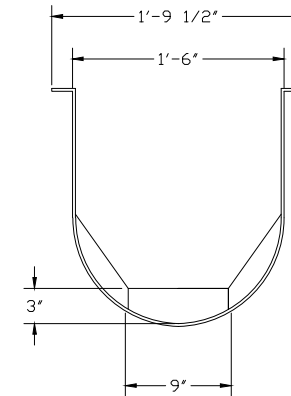
POINT OF MEASUREMENT



PLAN VIEW



RIGHT ELEVATION



DISCHARGE ELEVATION

1) FLOW IS FROM LEFT TO RIGHT

TRACOM
FIBERGLASS PRODUCTS

PALMER-BOWLUS FLUME, SIZE 18", INSERT STYLE

DWG. NO. PB-18-I-N-N-N-N-N-N

REV 0

PROJECT STANDARD FLUME SIZE

DATE 10/13/04

8 7 6 5 4 3 2 1