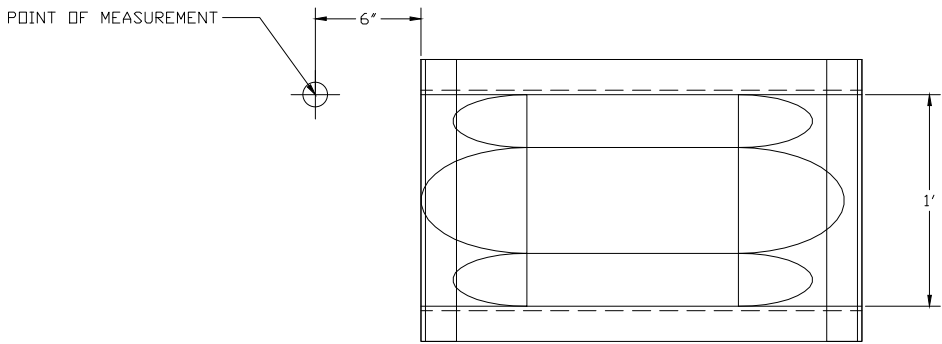
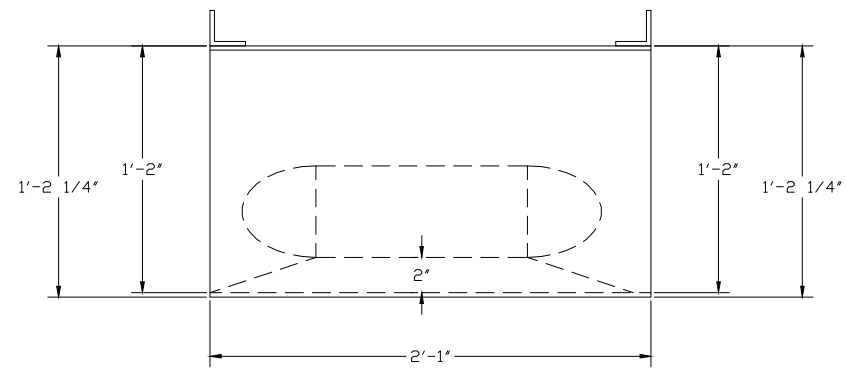


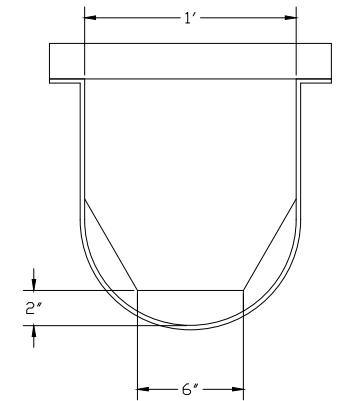
FLOW METER:	N/A
CONNECTION:	N/A
HDR:	2" X 2" PULTRUSION
ACCESSORIES:	NONE



PLAN VIEW




RIGHT ELEVATION



DISCHARGE ELEVATION

- 1) FLOW IS FROM LEFT TO RIGHT
- 2) POINT OF MEASUREMENT IS UPSTREAM OF FLUME 6"

 FIBERGLASS PRODUCTS	PALMER-BOWLUS FLUME, 12 INCH SIZE, INSERT STYLE	
	DWG. NO. PB-12-I-N-N-N-N-N-N-N	REV 0
PROJECT	STANDARD FLUME SIZE	DATE 8/17/06