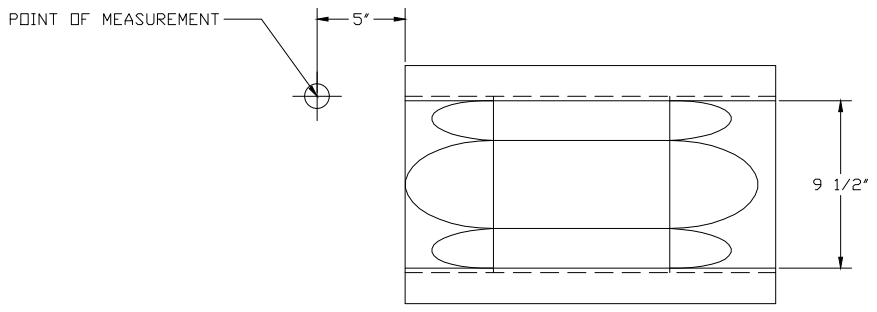
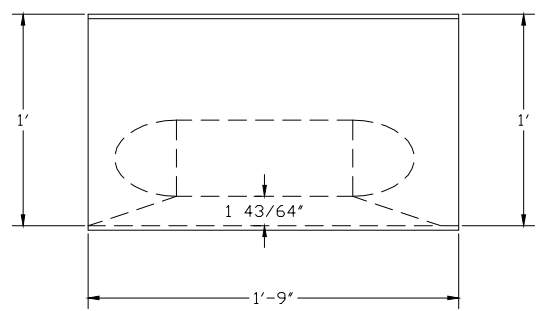


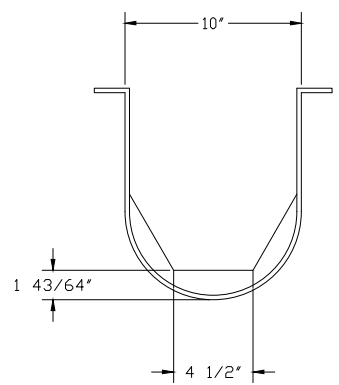
FLOW METER:	N/A
CONNECTION:	N/A
HDR:	2" X 2" PULTRUSION
ACCESSORIES:	NONE



PLAN VIEW



RIGHT ELEVATION



DISCHARGE ELEVATION

- 1) FLOW IS FROM LEFT TO RIGHT
- 2) FRP ANGLE OVER FLUME NOT SHOWN FOR CLARITY

	PALMER-BOWLUS FLUME, 10 INCH SIZE, INSERT STYLE	
	DWG. NO. PB-10-I-N-N-N-N-N-N-N	REV 0
PROJECT	STANDARD FLUME SIZE	DATE 11/16/04