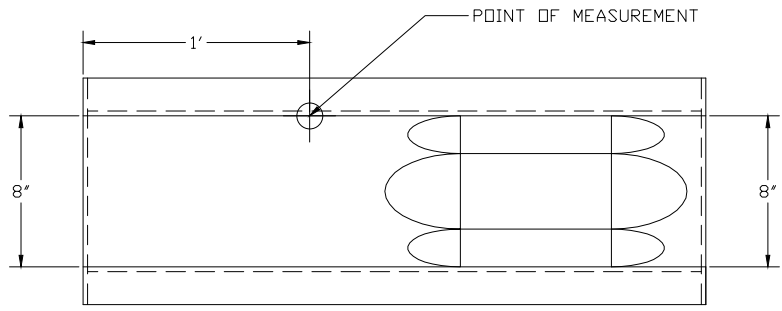
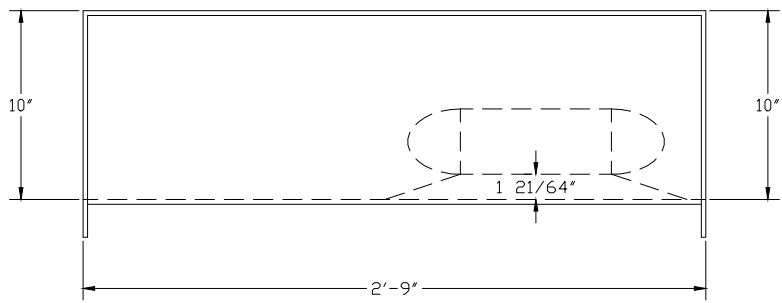


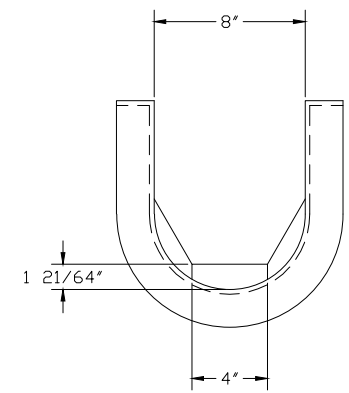
FLOW METER:	NONE
CONNECTION:	NONE
HDR:	2" X 2" PULTRUSION
ACCESSORIES:	NONE



PLAN VIEW




RIGHT ELEVATION



DISCHARGE ELEVATION

- 1) FLOW IS FROM LEFT TO RIGHT
- 2) EXTERIOR ANCHOR CLIPS AND TOP ANGLES NOT SHOWN FOR CLARITY

 FIBERGLASS PRODUCTS	PALMER-BOWLUS FLUME, 8 INCH SIZE, 4D+1" STYLE	
	DWG. NO. PB-8-4D-N-N-N-N-N-N-N-N	REV 0
PROJECT	STANDARD FLUME SIZE	DATE 4/12/04