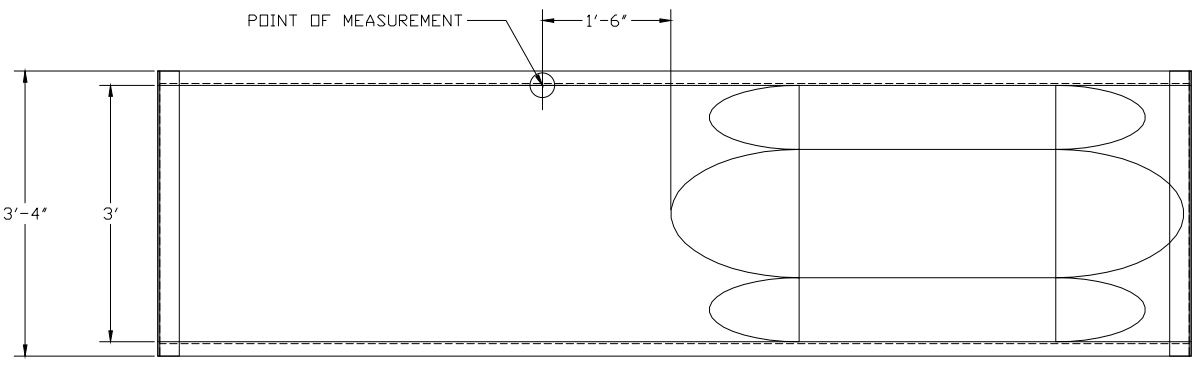
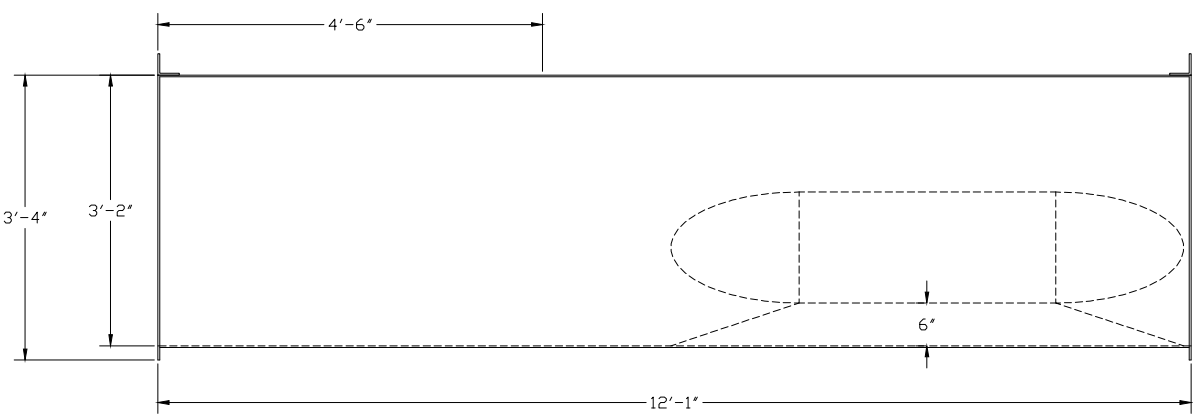


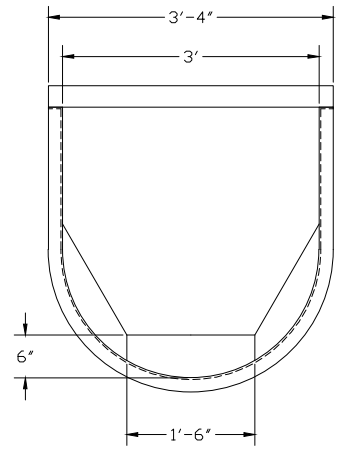
FLOW METER:	N/A
CONNECTION:	CONCRETE CHANNEL
HDR:	3" X 3" PULTRUSION
ACCESSORIES:	NONE



PLAN VIEW



RIGHT ELEVATION



DISCHARGE ELEVATION

1) FLOW IS FROM LEFT TO RIGHT

	PALMER-BOWLUS FLUME, SIZE 36", 4D+1" STYLE	
	DWG. NO. PB-36-4D-N-N-N-N-N-N	REV 0
PROJECT	SOUTHEASTERN CIVIL ENGINEERING CITY OF ATLANTA	DATE 10/9/03