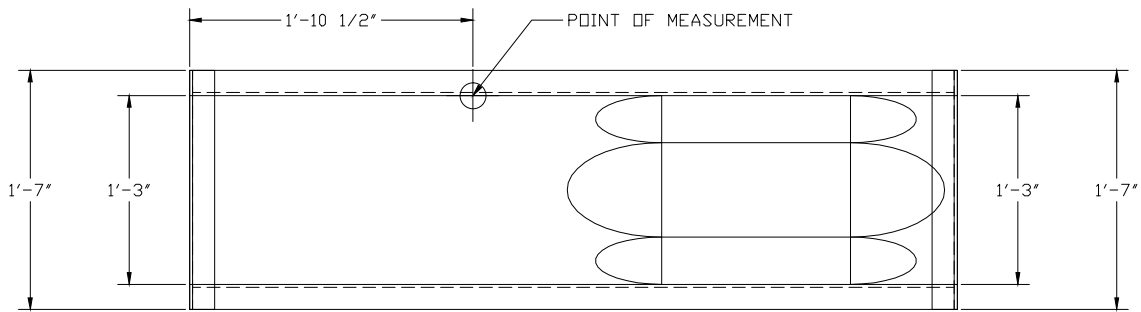
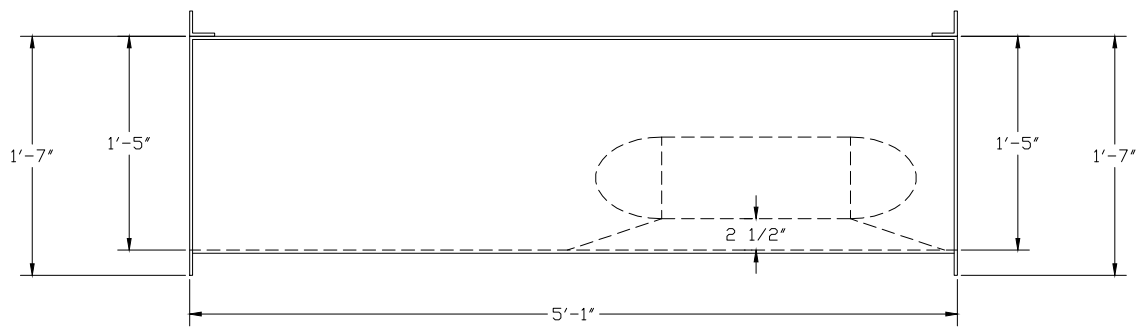


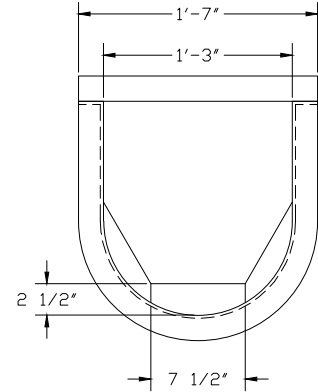
FLOW METER:	N/A
CONNECTION:	N/A
HDR:	2" X 2" PULTRUSION
ACCESSORIES:	NONE



PLAN VIEW




RIGHT ELEVATION



DISCHARGE ELEVATION

1) FLOW IS FROM LEFT TO RIGHT

 FIBERGLASS PRODUCTS	PALMER-BOWLUS FLUME, SIZE 15", 4D+1" STYLE	
	DWG. NO. PB-15-4D-N-N-N-N-N-N-N-N	REV 0
PROJECT	STANDARD FLUME SIZE	DATE 8/18/03