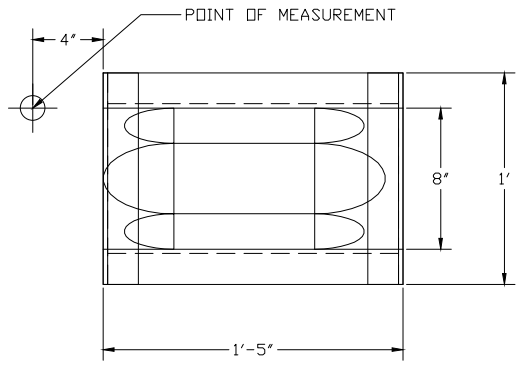
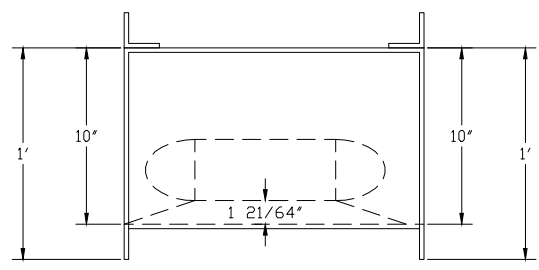


FLOW METER:	N/A
CONNECTION:	N/A
HDR:	2" X 2" PULTRUSION
ACCESSORIES:	NONE



PLAN VIEW



RIGHT ELEVATION

- 1) FLOW IS FROM LEFT TO RIGHT
- 2) POINT OF MEASUREMENT IS UPSTREAM OF THE FLUME

	PALMER-BOWLUS FLUME, 8 INCH SIZE, 2D+1" STYLE	
	DWG. NO. PB-8-2D-N-N-N-N-N-N-N-N	REV 0
PROJECT	STANDARD FLUME SIZE	DATE 8/13/04