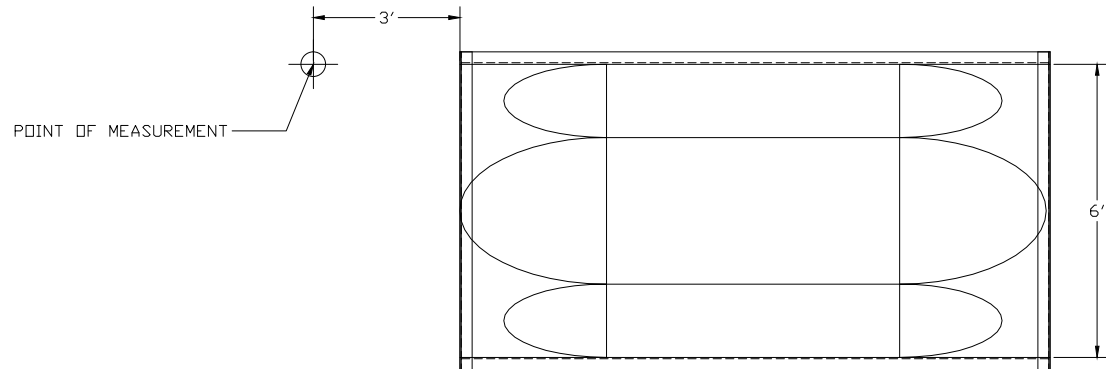
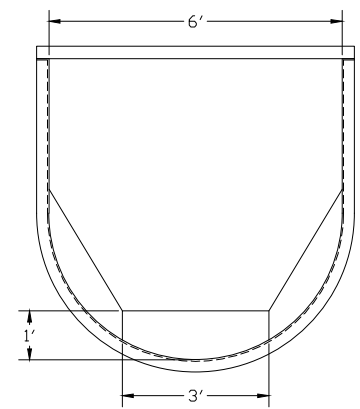


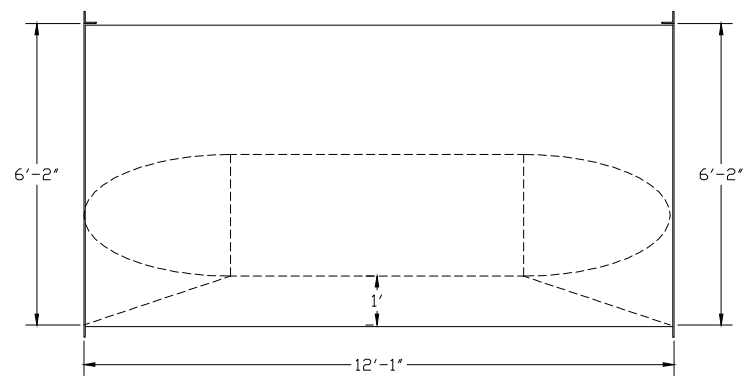
FLOW METER:	N/A
CONNECTION:	CONCRETE CHANNEL
HDR:	3" X 3" PULTRUSION
ACCESSORIES:	NONE



PLAN VIEW




DISCHARGE ELEVATION VIEW



ELEVATION VIEW

1) FLOW IS FROM LEFT TO RIGHT

 FIBERGLASS PRODUCTS	PALMER-BOWLUS FLUME, 72 INCH SIZE, 2D+1" STYLE	
	DWG. NO. PB-72-2D-N-N-N-N-N-N-N	REV 0
PROJECT NORTH FORK PEACHTREE CREEK TUNNEL ATLANTA, GA	DATE 5/9/11	