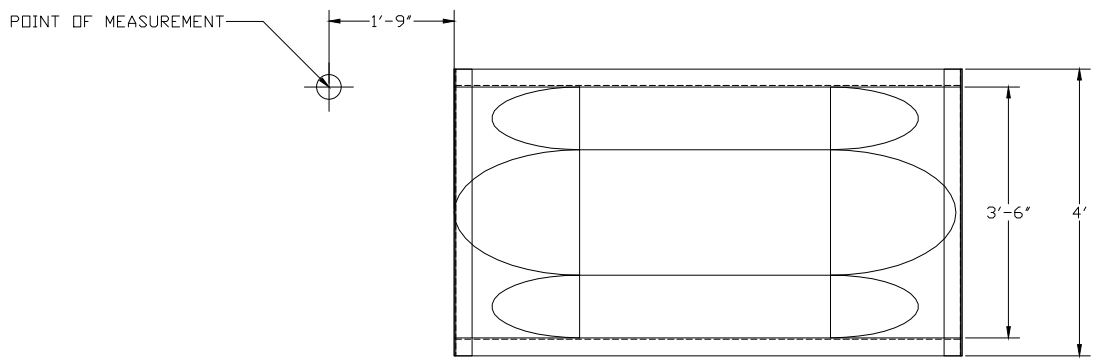
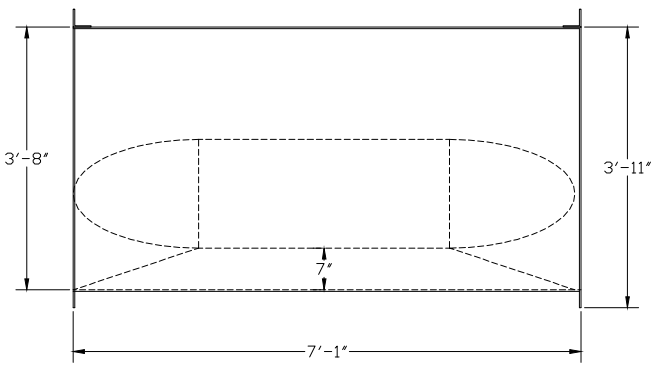


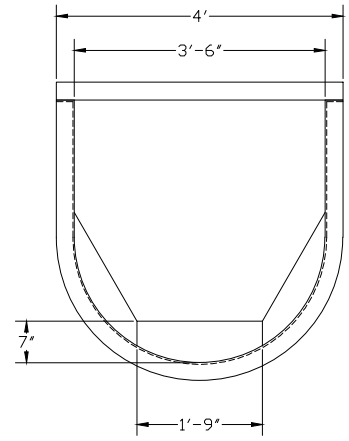
FLOW METER:	N/A
CONNECTION:	N/A
HDR:	3" X 3" PULTRUSION
ACCESSORIES:	NONE



PLAN VIEW



RIGHT ELEVATION



DISCHARGE ELEVATION

- 1) FLOW IS FROM LEFT TO RIGHT
- 2) BOTH FLUMES TO BE IDENTICAL
- 3) UPSTREAM CHANNEL (CONTAINING POINT OF MEASUREMENT) MUST BE FIELD FORMED BY CONTRACTOR

TRACOM FIBERGLASS PRODUCTS	PALMER-BOWLUS FLUME, SIZE 42 INCH, 2D+1" STYLE	
	DWG. NO. PB-42-2D-N-N-N-N-N-N	REV 0
PROJECT	UR MEXICO, SA DE CV	DATE 2/25/09