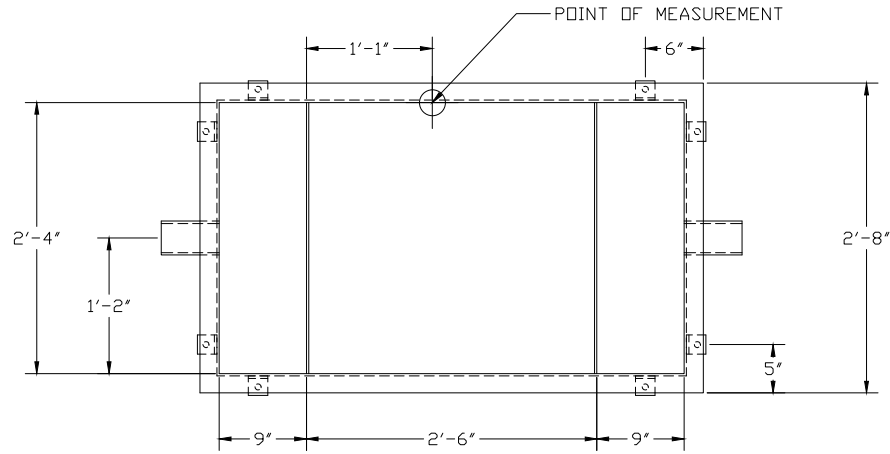
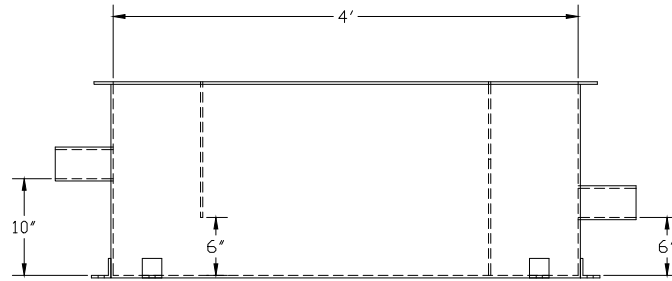


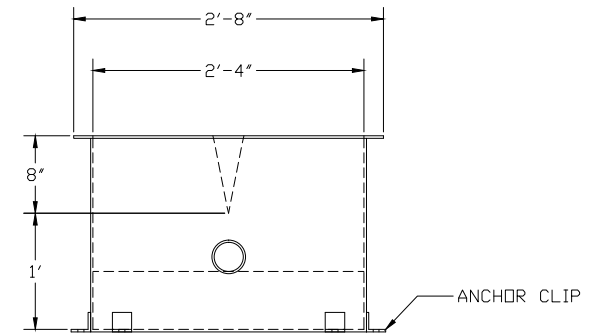
FLOW METER:	N/A
CONNECTION:	3" DIA. C.I./PVC PIPE
ACCESSORIES:	NONE



PLAN VIEW



RIGHT ELEVATION VIEW



DISCHARGE ELEVATION VIEW

- 1) FLOW IS FROM LEFT TO RIGHT
- 2) SIZED PER ISO 1438/1-1990
- 3) OPEN CHANNEL CONDITIONS MUST BE PRESENT
- 4) FIXED 22-1/2" V-NOTCH WEIR AND BAFFLE PLATES
- 5) SIDE STIFFENING RIBS NOT SHOWN FOR CLARITY

TRACOM
FIBERGLASS PRODUCTS

MEDIUM WEIR BOX, 28" W X 48" L X 20" H, WITH FIXED 22-1/2" V-NOTCH WEIR PLATE, FIXED BAFFLE PLATE, AND 3" PIPE STUBS

DWG. NO. WB-MED-22V-B-P3-N-N-N-N

REV 0

PROJECT STANDARD WEIR BOX SIZE DATE 6/4/09