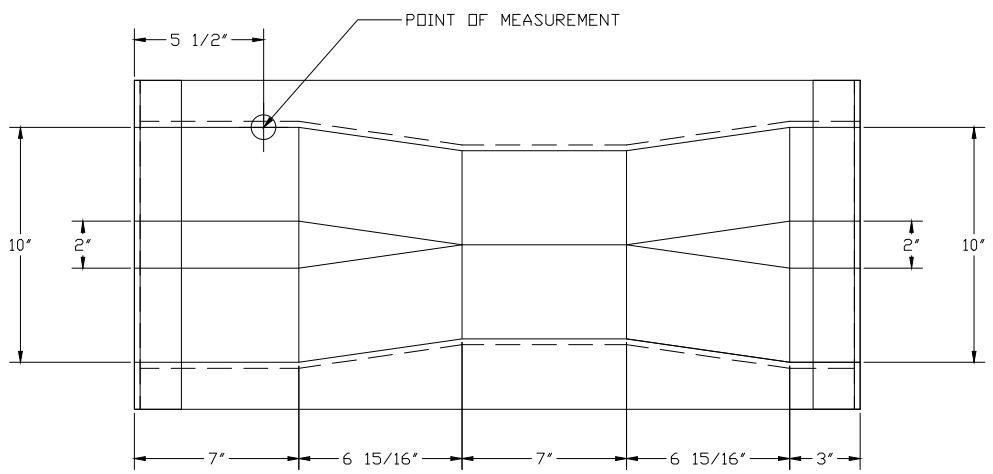
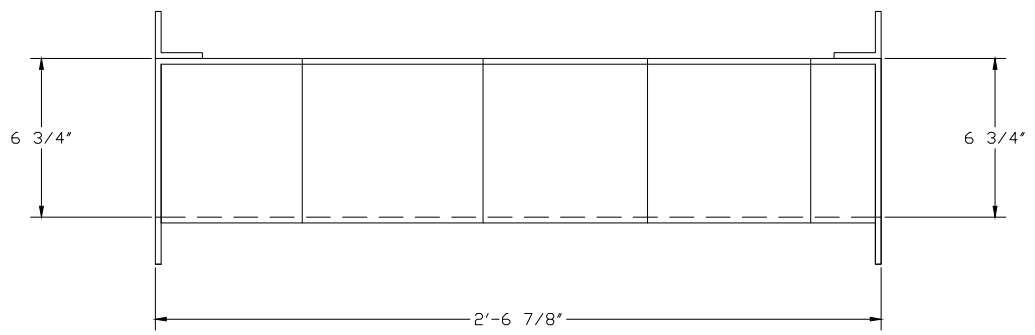


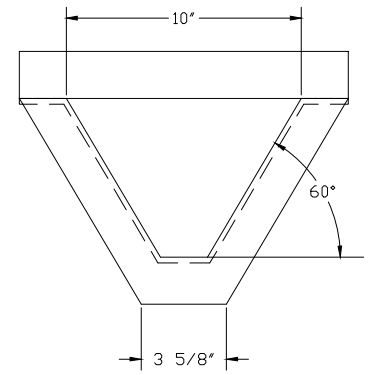
| | |
|--------------|--------------------|
| FLOW METER: | N/A |
| CONNECTION: | N/A |
| HDR: | 2" X 2" PULTRUSION |
| ACCESSORIES: | NONE |



PLAN VIEW



RIGHT ELEVATION



END ELEVATION

1) FLOW IS FROM LEFT TO RIGHT

| | | |
|---------|-------------------------------|----------------------|
| | LARGE 60° V TRAPEZOIDAL FLUME | |
| | DWG. NO. | TRAP-L60-N-N-N-N-N-N |
| PROJECT | STANDARD FLUME SIZE | DATE 12/3/03 |
| | | REV 0 |