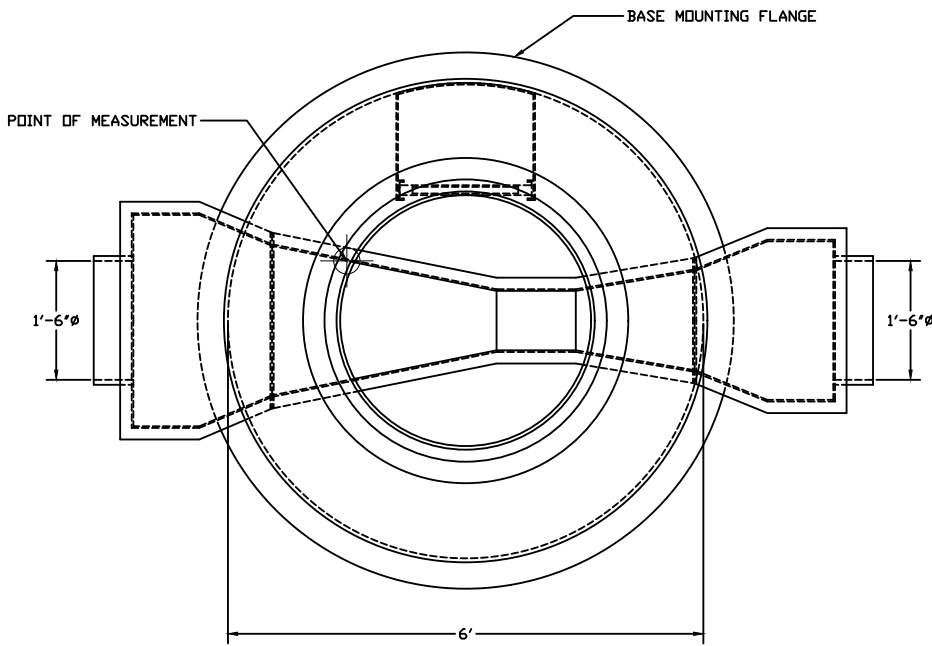
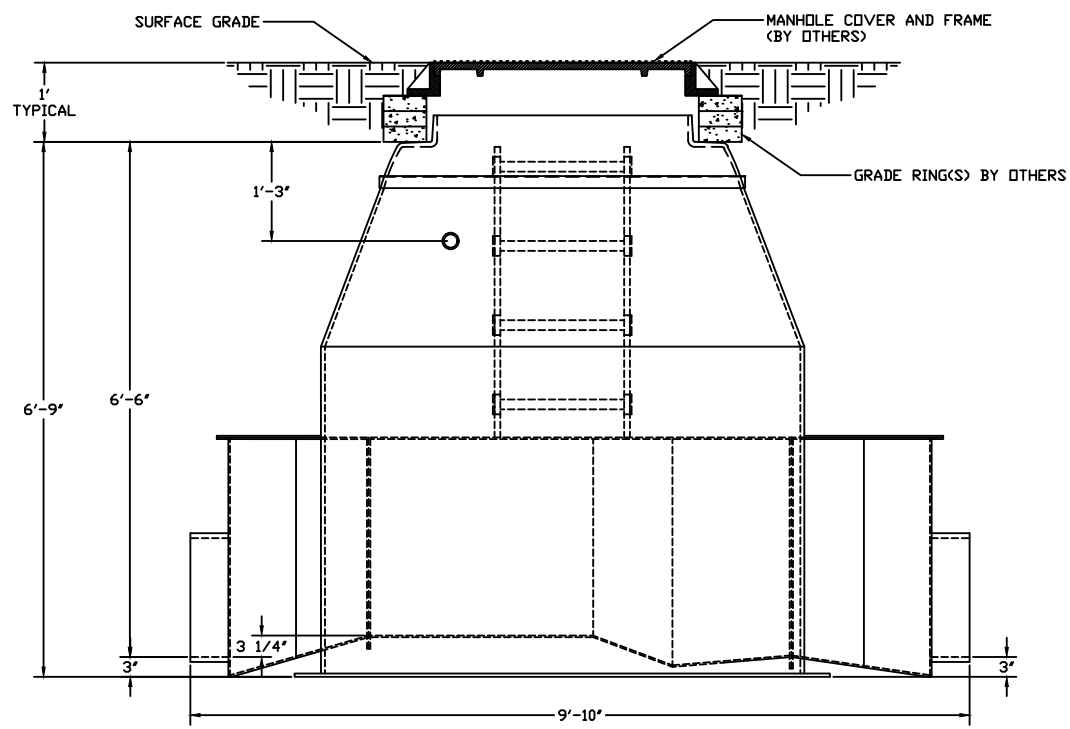


FLOW METER:	ULTRASONIC - (BY OTHERS)
CONNECTION:	18" DIA. C.I./PVC PIPE
ACCESSORIES:	STAFF GAUGE (MOLD/ENGLISH)



PLAN VIEW



ELEVATION VIEW

1) FLOW IS FROM LEFT TO RIGHT

TRACOM FIBERGLASS PRODUCTS	METERING MANHOLE, 72 INCH DIA., 38" H-20 HIGHWAY LOADING STYLE TOP, 9" PARSHALL FLUME, 18" PIPE STUBS, AND STAFF GAUGE (TENTHS) (RIGHT)	
	DWG. NO. MH-72-H38-PAR9-P18-N-ER-N-N-N	REV 0
PROJECT	TOWN OF SUPERIOR	DATE 9/10/07