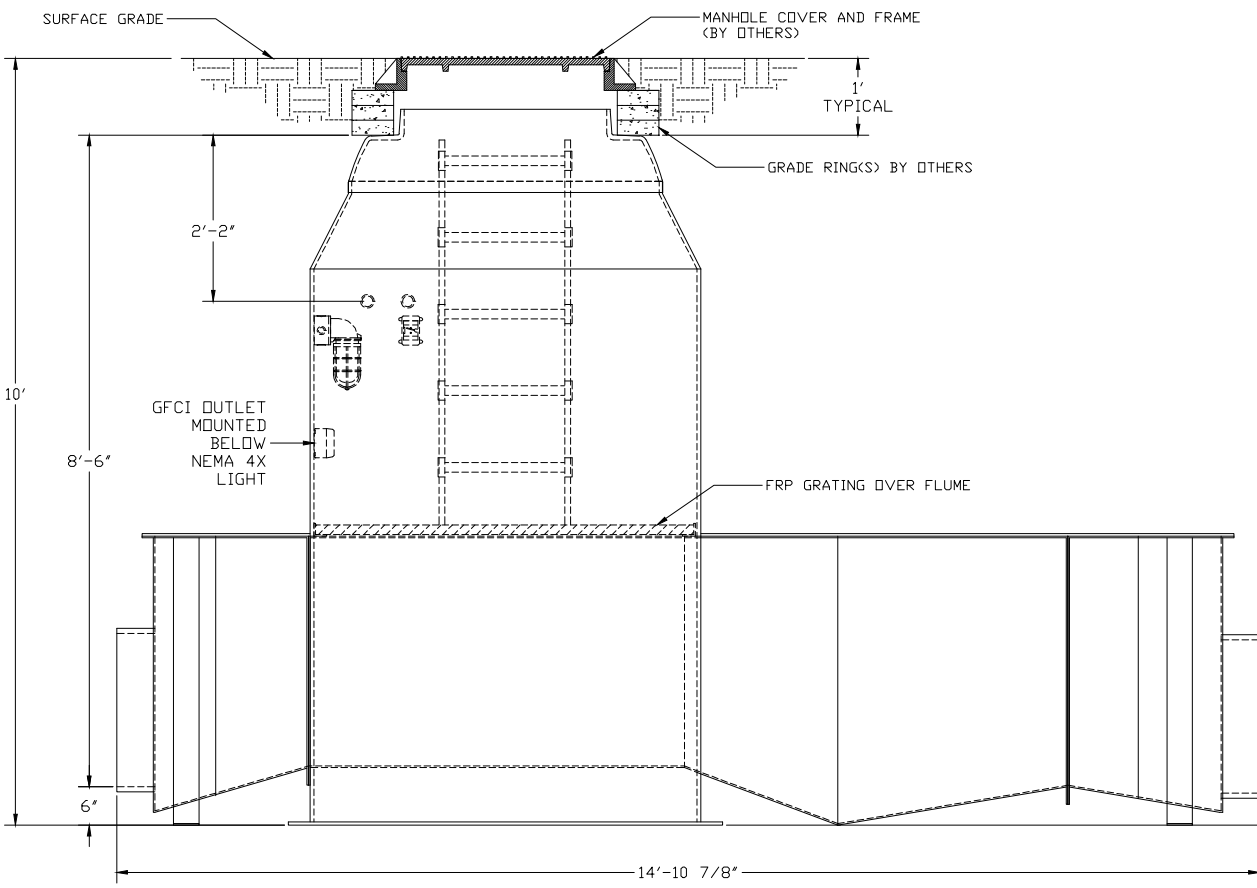
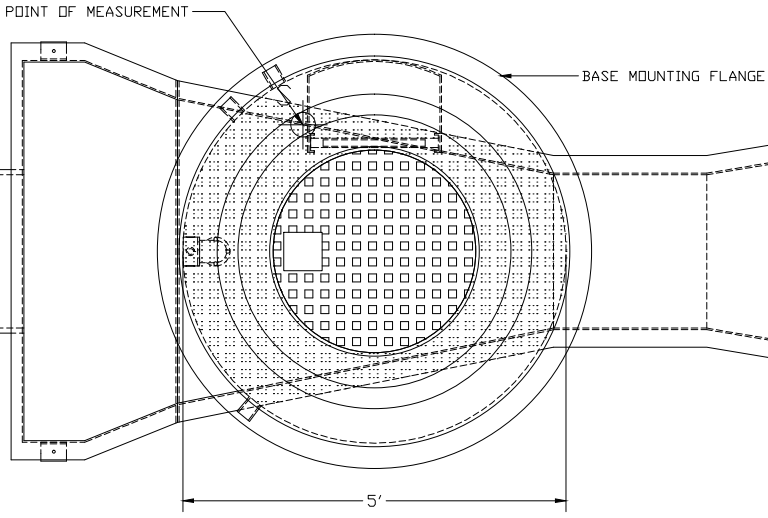


FLOW METER:	ULTRASONIC
CONNECTION:	24" DIA. CLASS 52 D.I. PIPE
ACCESSORIES:	FRP GRATING WITH CUT-OUT GFCI OUTLET NEMA 4X INCANDESCENT LIGHT



- 1) FLOW IS FROM LEFT TO RIGHT
- 2) NEMA 4X INCANDESCENT LIGHT, GFCI OUTLET, AND NEMA 3R LIGHT SWITCH ARE MOUNTED, BUT NOT WIRED AND ARE SUITABLE FOR GENERAL PURPOSE (NON-RATE) LOCATIONS

TRACOM
FIBERGLASS PRODUCTS

METERING MANHOLE, 60 INCH DIA., H-20 STYLE, WITH 24" PARSHALL FLUME, 24" PIPE STUBS, FRP GRATING, LIGHT, GFCI OUTLET, AND (2) 2" COUPLINGS

DWG. NO. MH-60-H31-PAR24-P24-N-N-N-G-LO2 REV 0

PROJECT _____ DATE 2/25/11