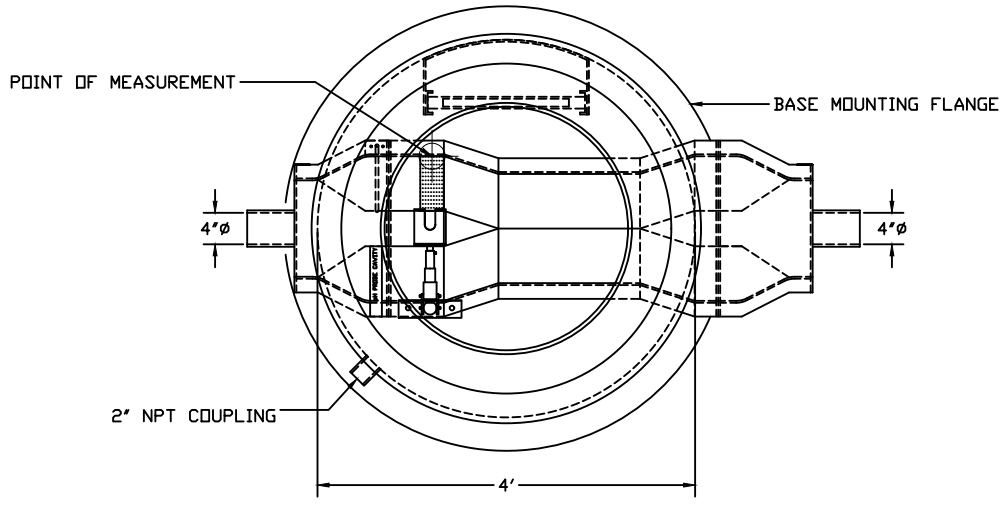
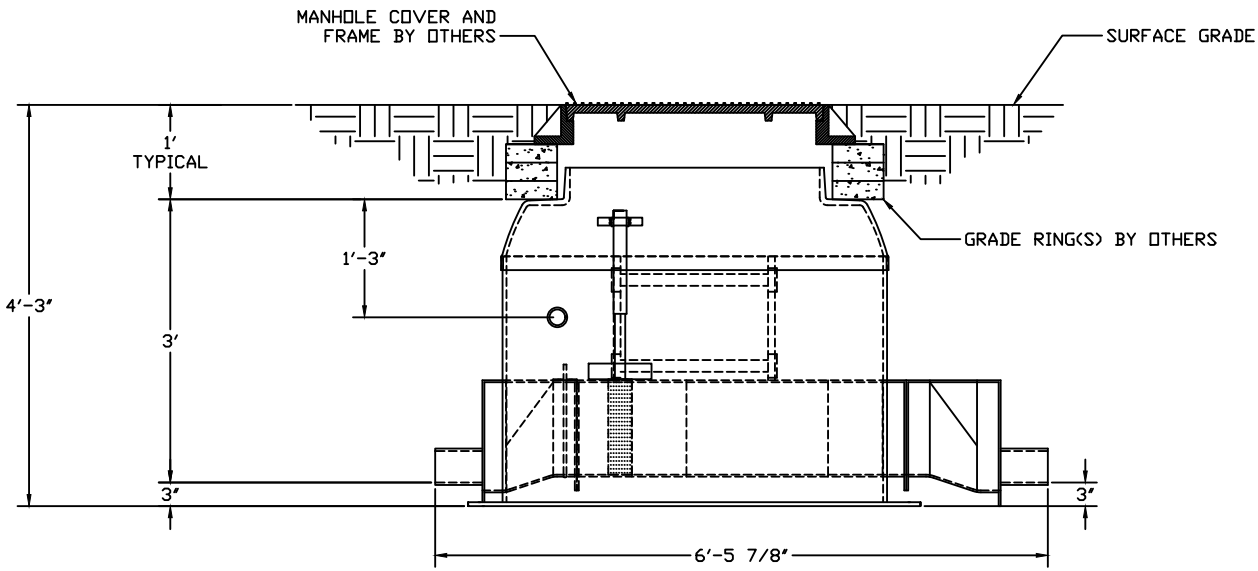


FLOW METER:	N/A
CONNECTION:	4" DIA. C.I./PVC PIPE
ACCESSORIES:	STAFF GAUGE (MOLD/ENGLISH) STAINLESS STEEL SAMPLE TUBE ADJUSTABLE ULTRASONIC BRACKET PH PROBE HOLDER



PLAN VIEW



ELEVATION VIEW

1) FLOW IS FROM LEFT TO RIGHT

 <b>TRACOM</b> FIBERGLASS PRODUCTS	METERING MANHOLE, 48 INCH DIA., 31-3/4" H-20 HIGHWAY LOADING STYLE, WITH EXTRA LARGE 60° V TRAPEZOIDAL FLUME, 4" PIPE STUBS, STAFF GAUGE (TENTHS) (LEFT), ADJUSTABLE ULTRASONIC BRACKET (RIGHT), SAMPLE TUBE (LEFT), & pH PROBE HOLDER	
	DWG. NO. MH-48-H31-TRAPXL60-P4-N-EL-UAR-SL-PH	REV 0
PROJECT	REFERENCE DRAWING	DATE 6/6/19