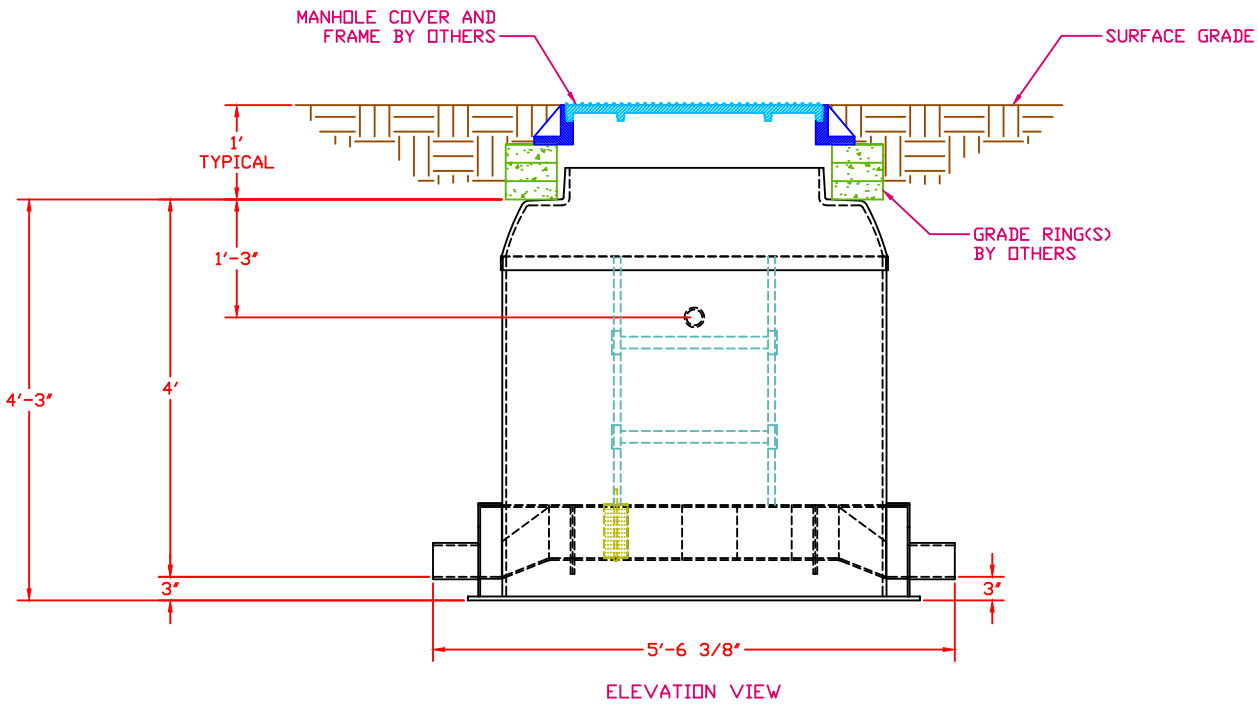
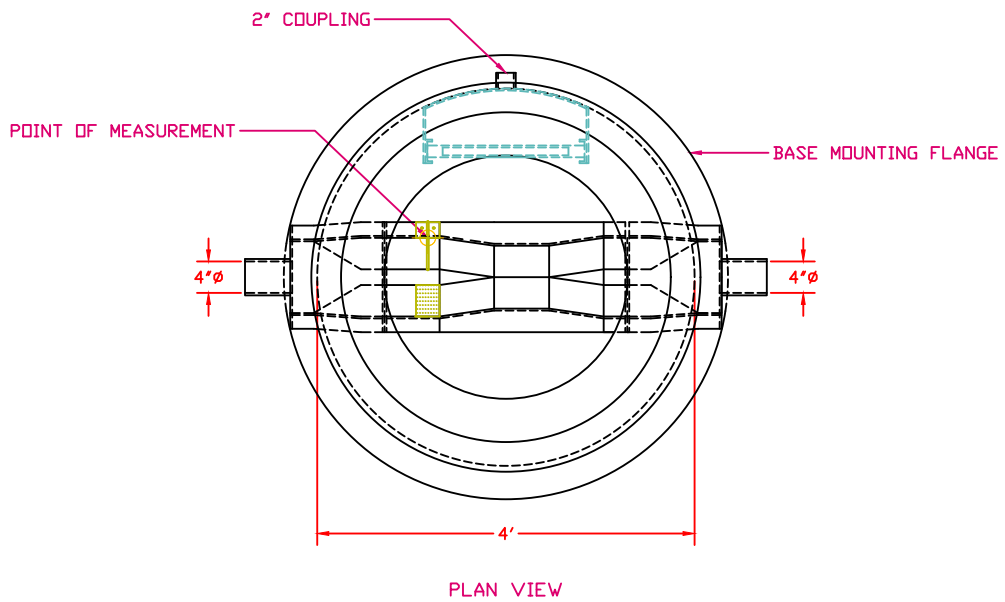


FLOW METER:	N/A
CONNECTION:	4" DIA. C.I./PVC PIPE
ACCESSORIES:	STAFF GAUGE (MOLD/ENGLISH) STAINLESS STEEL BUBBLE TUBE VINYL ESTER RESIN/GEL COAT



1) FLOW IS FROM LEFT TO RIGHT

<p>FIBERGLASS PRODUCTS</p>	<p>METERING MANHOLE, 48 INCH DIA., 31-3/4" H-20 HIGHWAY LOADING STYLE, WITH LARGE 60° V TRAPEZOIDAL FLUME, 4" PIPE STUBS, STAFF GAUGE (TENTHS) (RIGHT), BUBBLE TUBE (LEFT), AND VINYL ESTER RESIN/GEL COAT</p>	
	<p>DWG. NO. MH-48-H31-TRAPL60-P4-N-ER-BL-VINYL</p>	<p>REV 0</p>
<p>PROJECT</p>	<p>REFERENCE DRAWING</p>	<p>DATE 6/7/19</p>