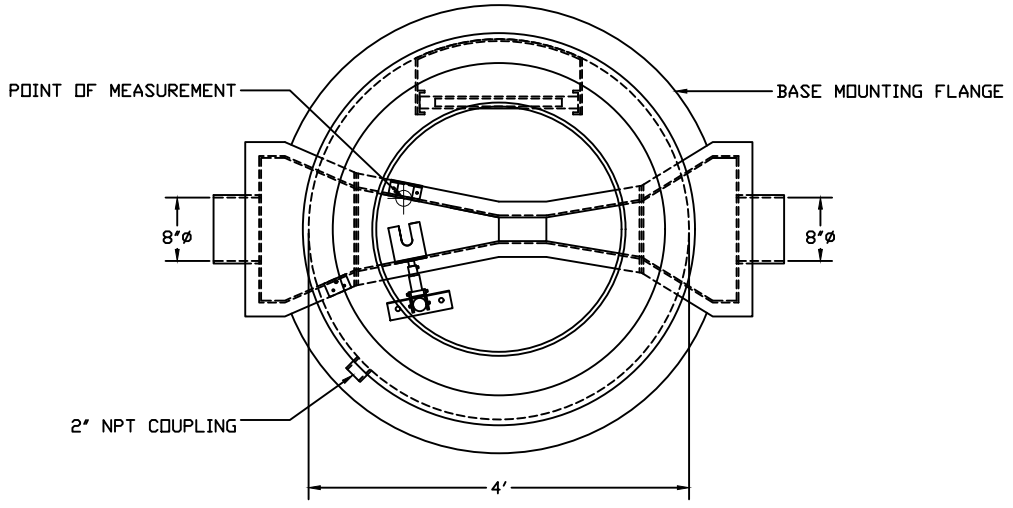


8 7 6 5 4 3 2 1

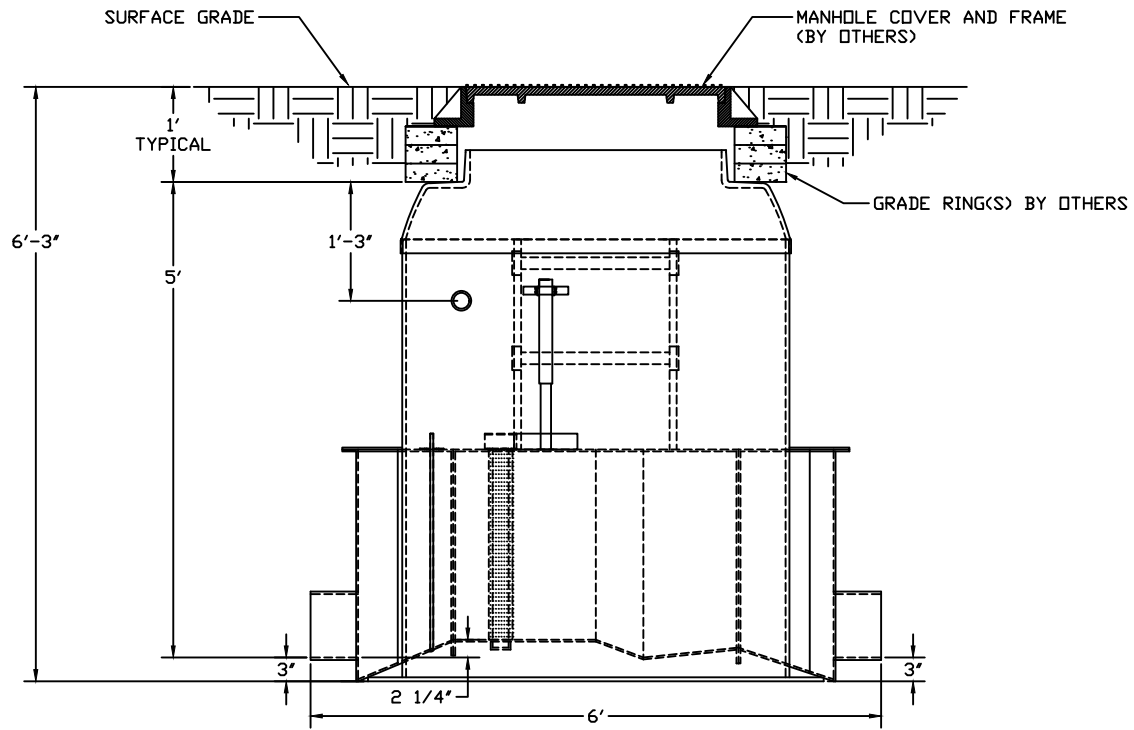
FLOW METER:	ULTRASONIC - (BY OTHERS)
CONNECTION:	8" DIA. C.I./PVC PIPE
ACCESSORIES:	ADJUSTABLE ULTRASONIC BRACKET STAFF GAUGE - MOLDED, 1/100' REMOVABLE PH PROBE HOLDER SAMPLE TUBE

H  
G  
F  
E  
D  
C  
B  
A

H  
G  
F  
E  
D  
C  
B  
A




PLAN VIEW



ELEVATION VIEW

1) FLOW IS FROM LEFT TO RIGHT

 <b>TRACOM</b> FIBERGLASS PRODUCTS	METERING MANHOLE, 48 INCH DIA., 31 3/4" H-20 HIGHWAY LOADING STYLE, 3" PARSHALL FLUME, 8" STUBS, STAFF GAUGE, SAMPLE TUBE, PH PROBE HOLDER, AND ADJUSTABLE ULTRASONIC BRACKET	
	DWG. NO. MH-48-H31-PAR03-P8-N-ER-UAR-SL-PH	REV 0

PROJECT	REFERENCE DRAWING	DATE 3/20/20
---------	-------------------	--------------

8 7 6 5 4 3 2 1