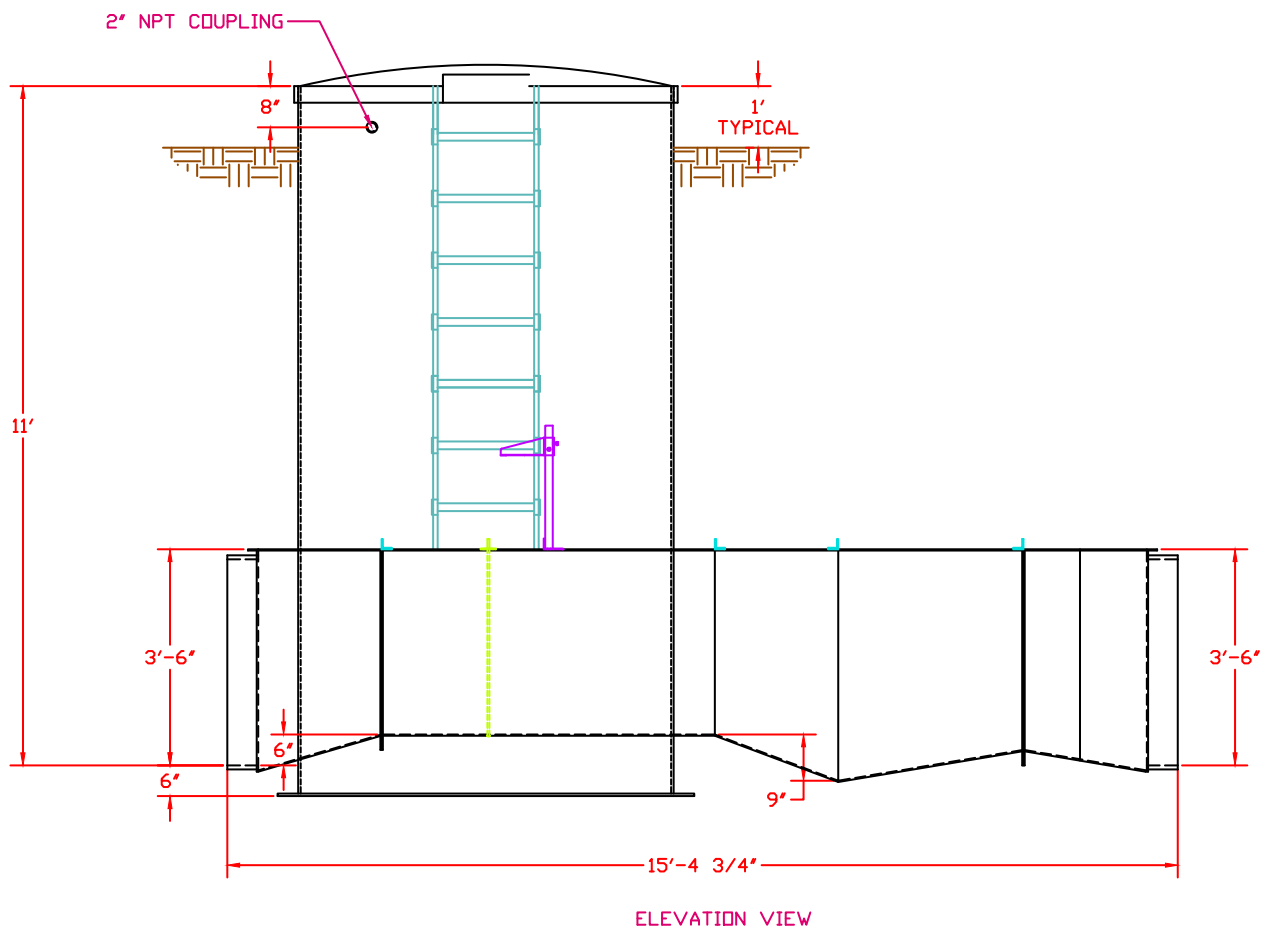
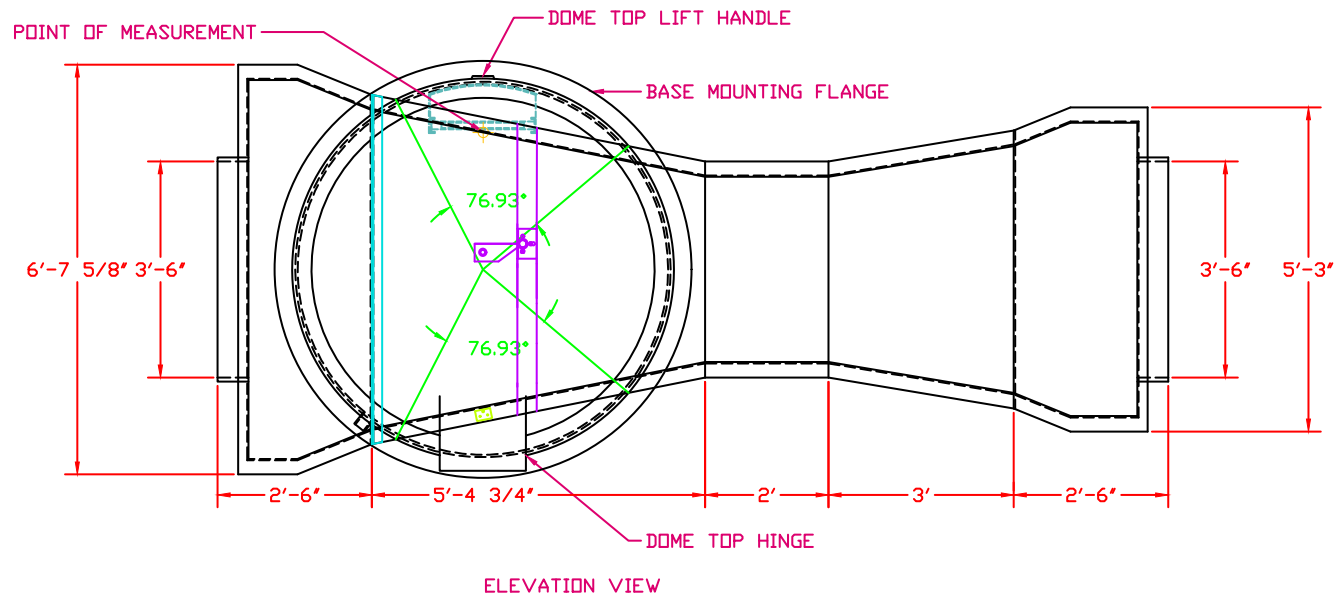



FLOW METER:	N/A
CONNECTION:	42" DIA. HOBAS
ACCESSORIES:	FRP GRATING OVER FLUME



- 1) FLOW IS FROM LEFT TO RIGHT
- 2) SPECIFY PIPE STUB O.D.
- 3) TRACOM DOES NOT RECOMMEND THIS DESIGN, THE FLUME IS TOO LARGE

 <p>FIBERGLASS PRODUCTS</p>	<p>METERING MANHOLE, 72 INCH DIA., DOME TOP STYLE, WITH 24" PARSHALL, 42" DIA. PIPE STUBS, OVER CHANNEL BRACKET, AND SAMPLE TUBE</p>	
	<p>DWG. NO. MH-72-D-PAR36-P42-N-N-UO-SL-N</p>	<p>REV 0</p>
<p>PROJECT CLEARWATER INC.</p>	<p>DATE 9/20/19</p>	