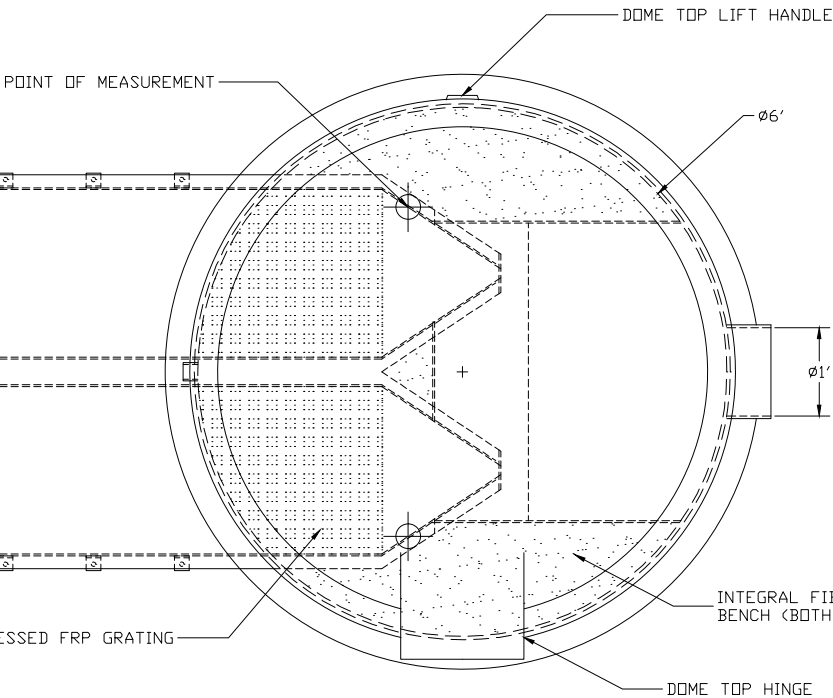
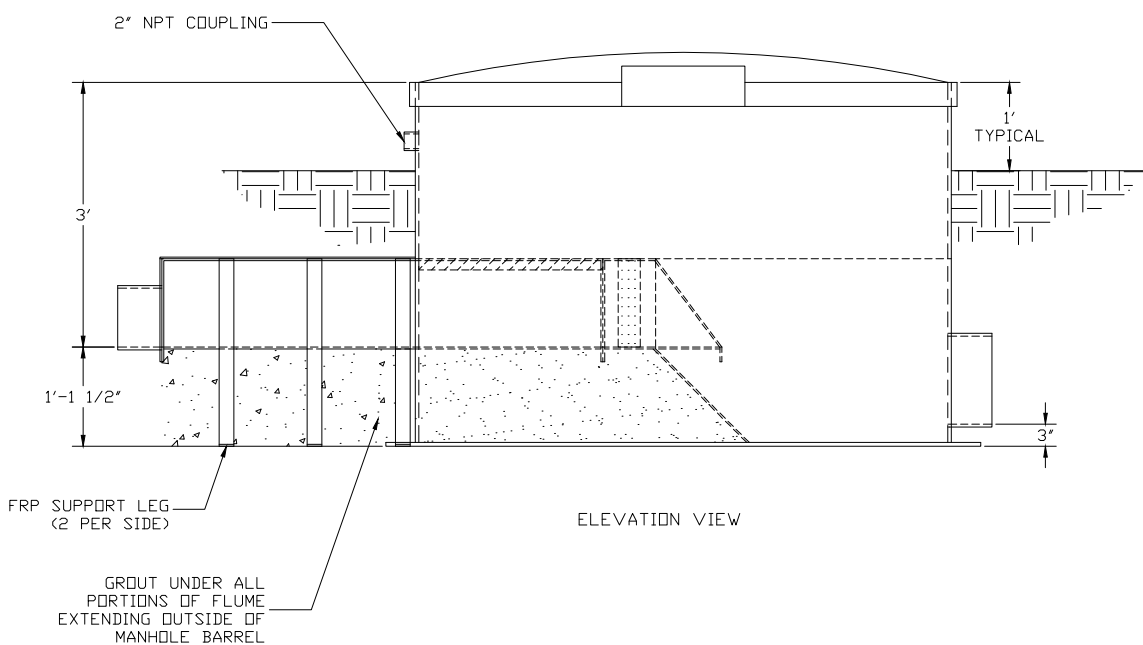


FLOW METER:	ULTRASONIC
CONNECTION:	(2) 8" / (1) 12" DIA. C.I./PVC PIPE
ACCESSORIES:	STAFF GAUGE (AD/ENGLISH)
	RECESSED FRP GRATING




PLAN VIEW



ELEVATION VIEW

1) FLOW IS FROM LEFT TO RIGHT

 FIBERGLASS PRODUCTS	METERING MANHOLE, 72 INCH DIA., DOME TOP STYLE, WITH (2) 1.0' H-FLUME, (2) 8" / (1) 12" PIPE STUBS, STAFF GAUGES (TENTHS) (RIGHT), AND FRP GRATING	
	DWG. NO. MH-72-D-2H10-2P8P12-N-ER-N-G-N	REV 0
PROJECT TDMA, INC. LAKEWOOD, CO	DATE 2/14/11	