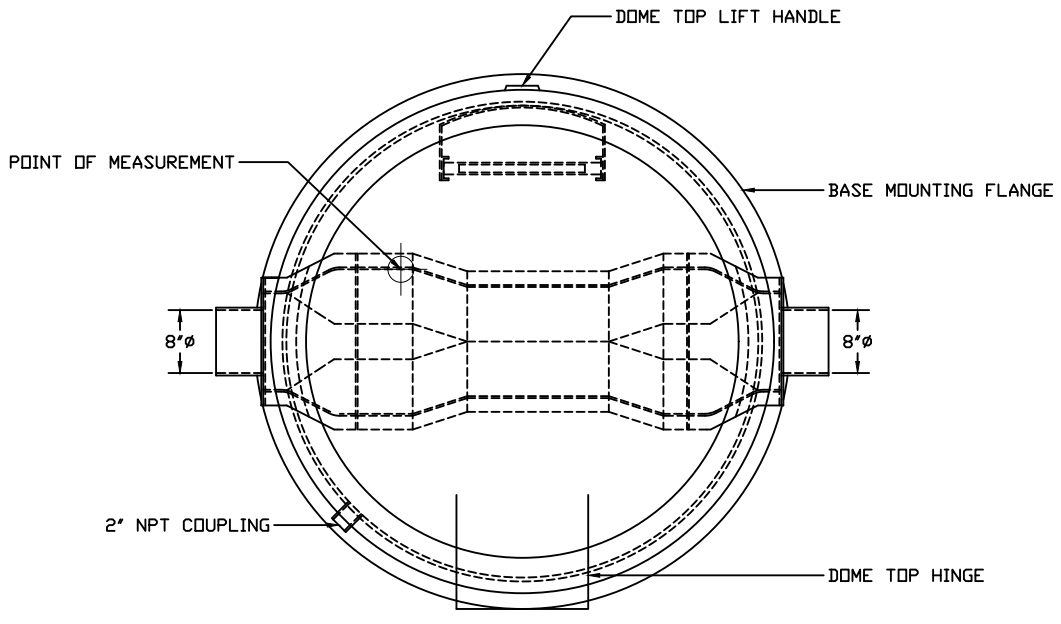
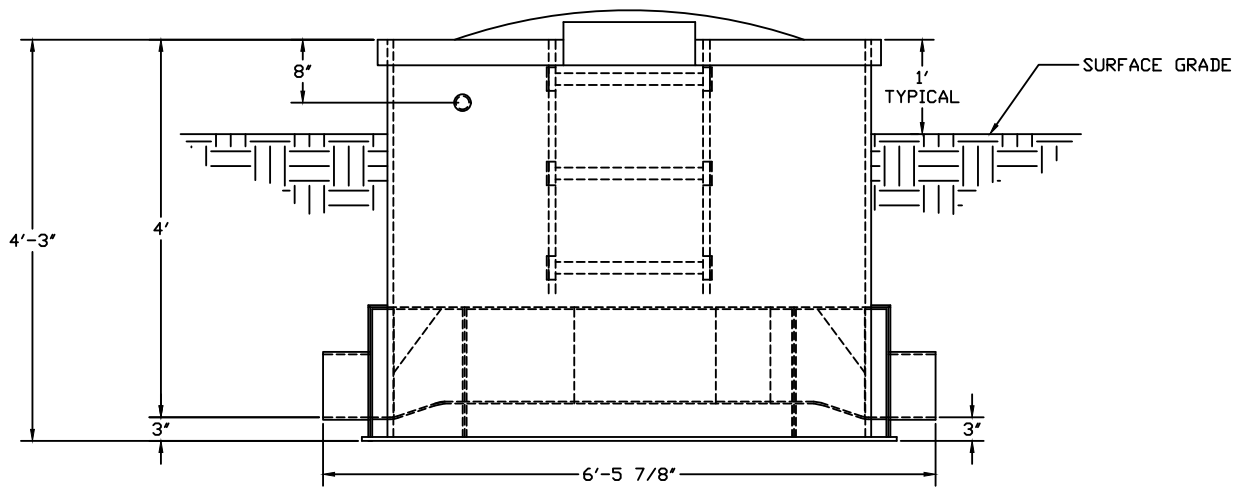


| | |
|-------------|-----------------------|
| FLOW METER: | (BY OTHERS) |
| CONNECTION: | 8" DIA. C.I./PVC PIPE |



PLAN VIEW
(FRP GRATING NOT SHOWN FOR CLARITY)



ELEVATION VIEW

1) FLOW IS FROM LEFT TO RIGHT

| | | |
|--------------------------------------|---|-------|
| TRACOM FIBERGLASS PRODUCTS | METERING MANHOLE, 60 INCH DIA., DOME TOP STYLE, EXTRA LARGE 60 DEGREE V TRAPEZOIDAL FLUME, 8" STUBS | |
| | DWG. NO. MH-60-D-TRAP-XL60-P8-N-N-N-G-N | REV 0 |
| PROJECT TAYLOR FARMS SMYRNA, TN | DATE 10/11/06 | |