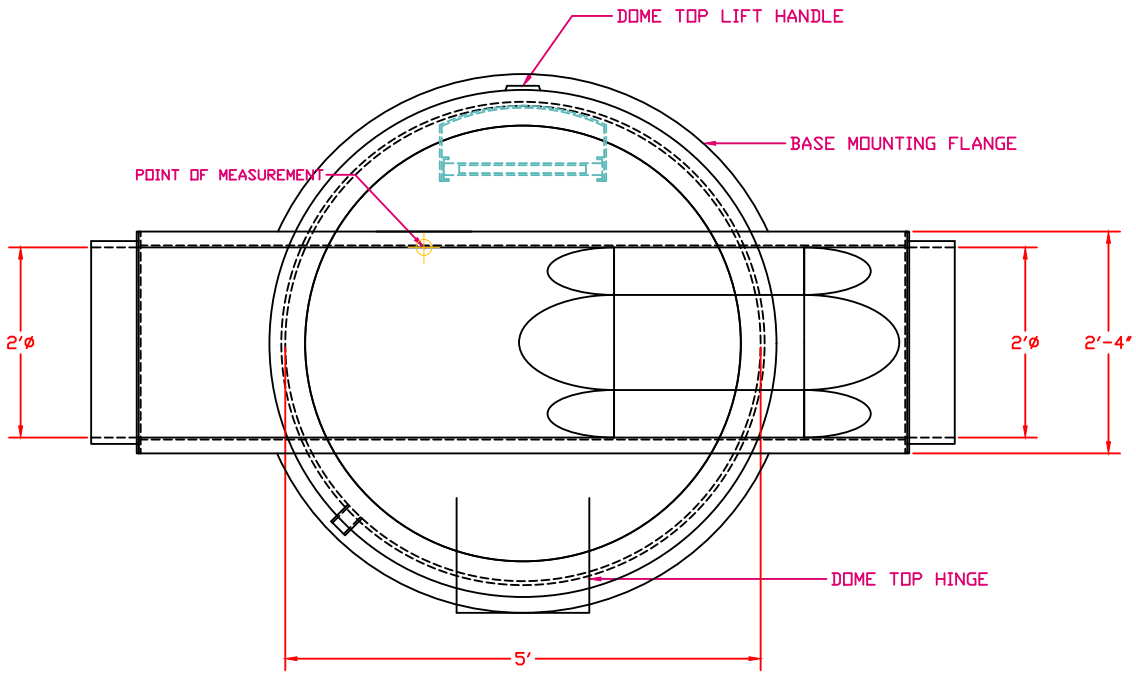
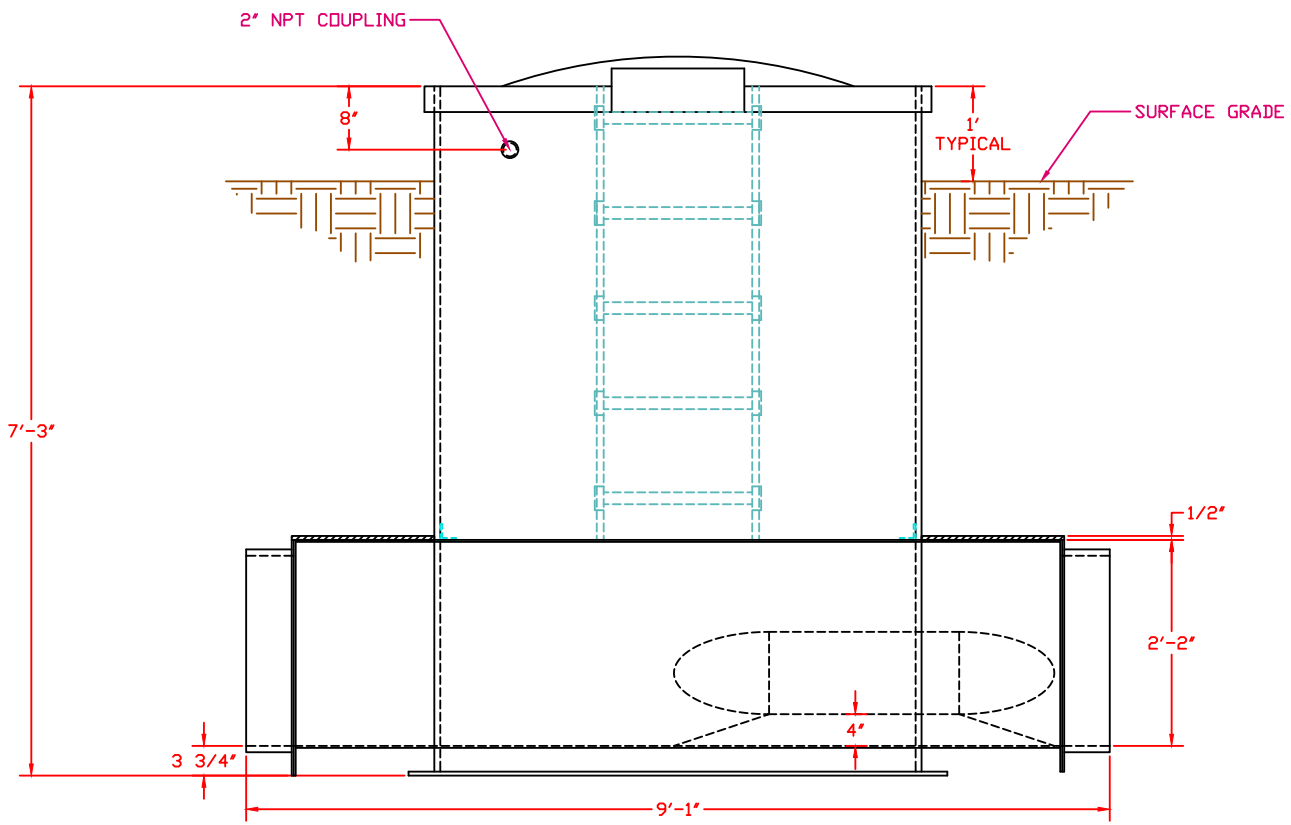


FLOW METER:	N/A
CONNECTION:	24" O.D. PIPE
ACCESSORIES:	N/A



PLAN VIEW



ELEVATION VIEW

1) FLOW IS FROM LEFT TO RIGHT

TRACOM FIBERGLASS PRODUCTS	METERING MANHOLE, 60 INCH DIA., DOME TOP STYLE, 24" PALMER-BOWLUS, WITH 24" STUBS	
	DWG. NO. MH-60-D-PB24-P24-N-N-N-N-N	REV 0
PROJECT CHA CONSULTING BLACKSBURG, VA	DATE 6/29/20	