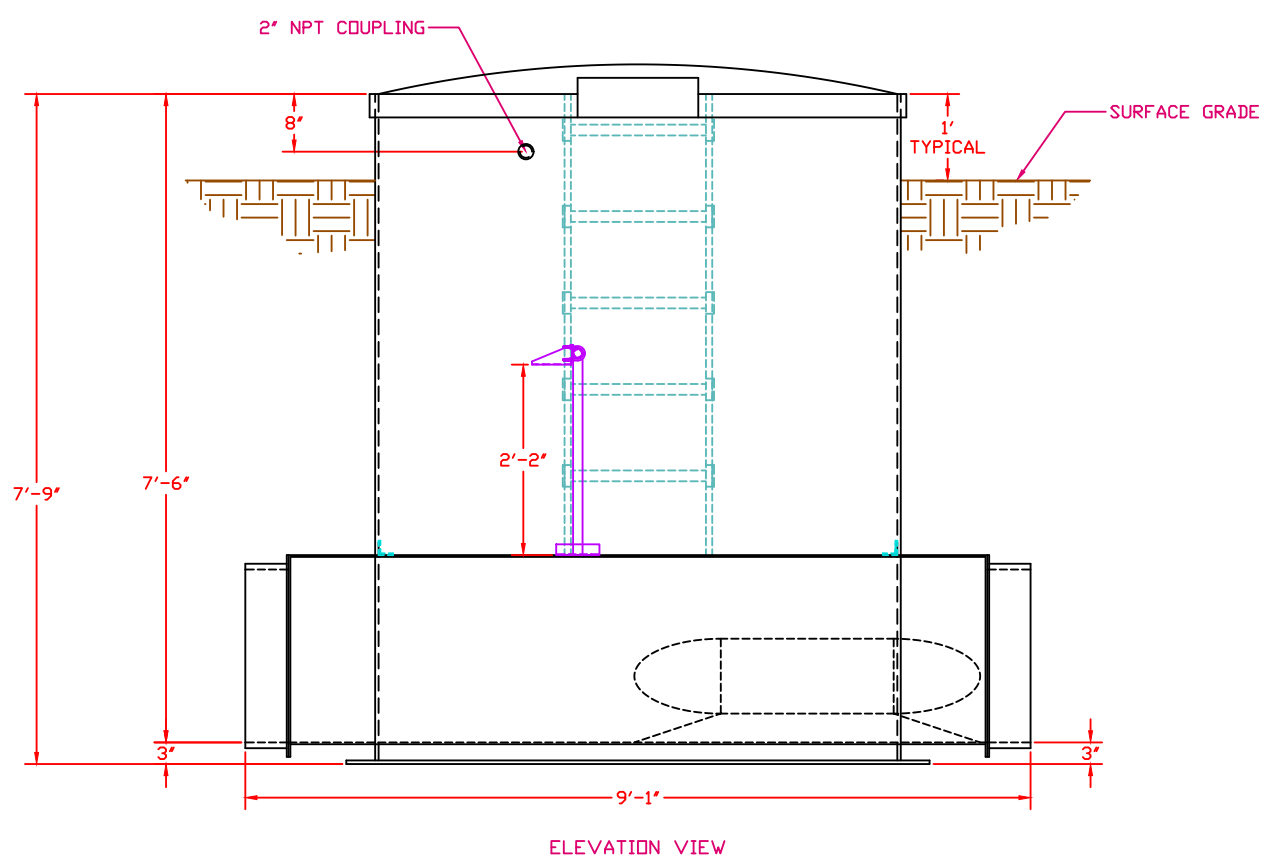
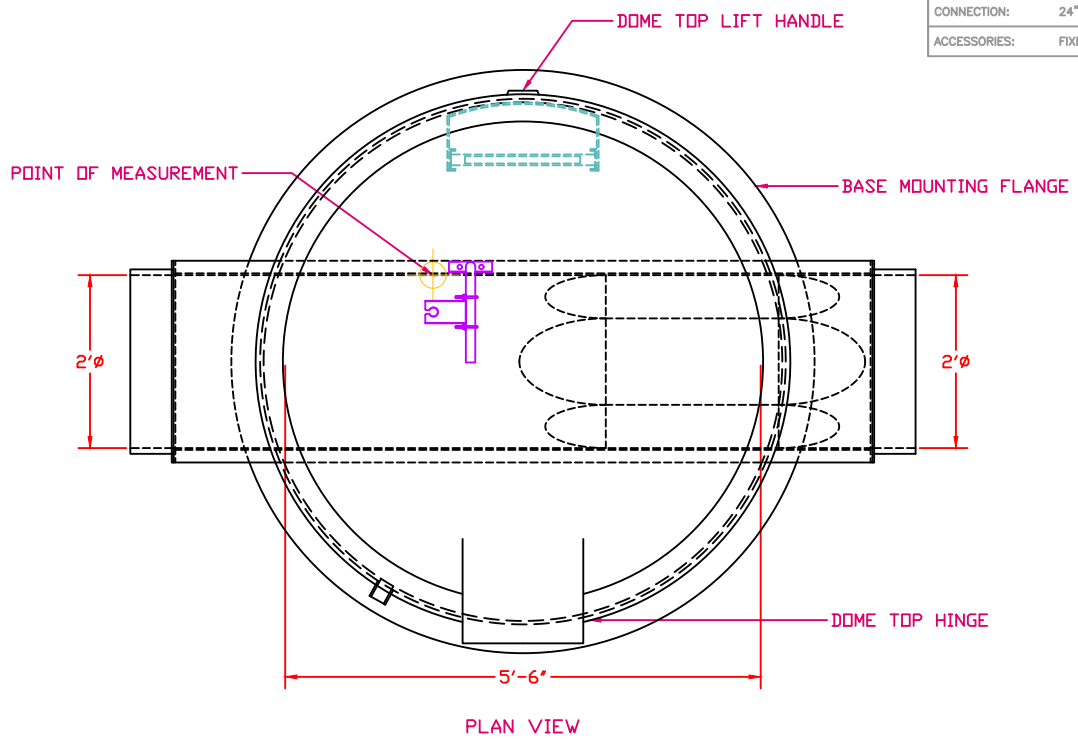


FLOW METER:	N/A
CONNECTION:	24" DIA. PIPE
ACCESSORIES:	FIXED ULTRASONIC BRACKET



1) FLOW IS FROM LEFT TO RIGHT

	METERING MANHOLE, 72 INCH DIA., DOME TOP STYLE, 24" PALMER-BOWLUS, 24" STUBS, AND FIXED ULTRASONIC BRACKET	
	DWG. NO. MH-72-D-PB24-P24-N-N-USR-N-N	REV 0
PROJECT BLAIR CONSTRUCTION - CYBER CEO CAMPUS SEWER EVANS, GA	DATE 3/20/19	