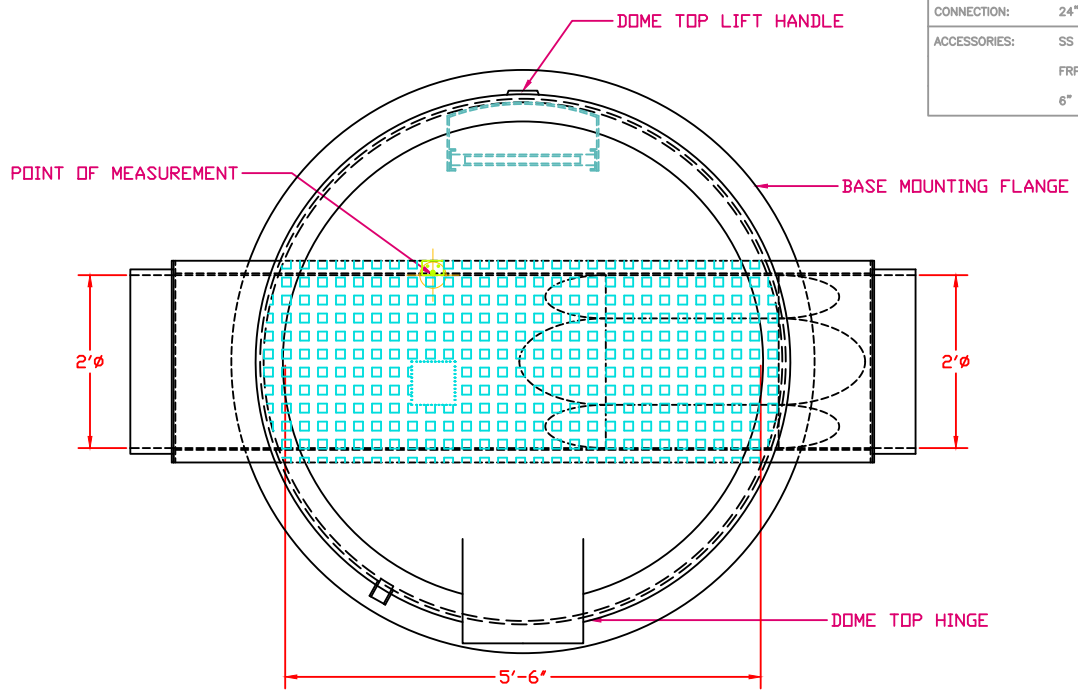
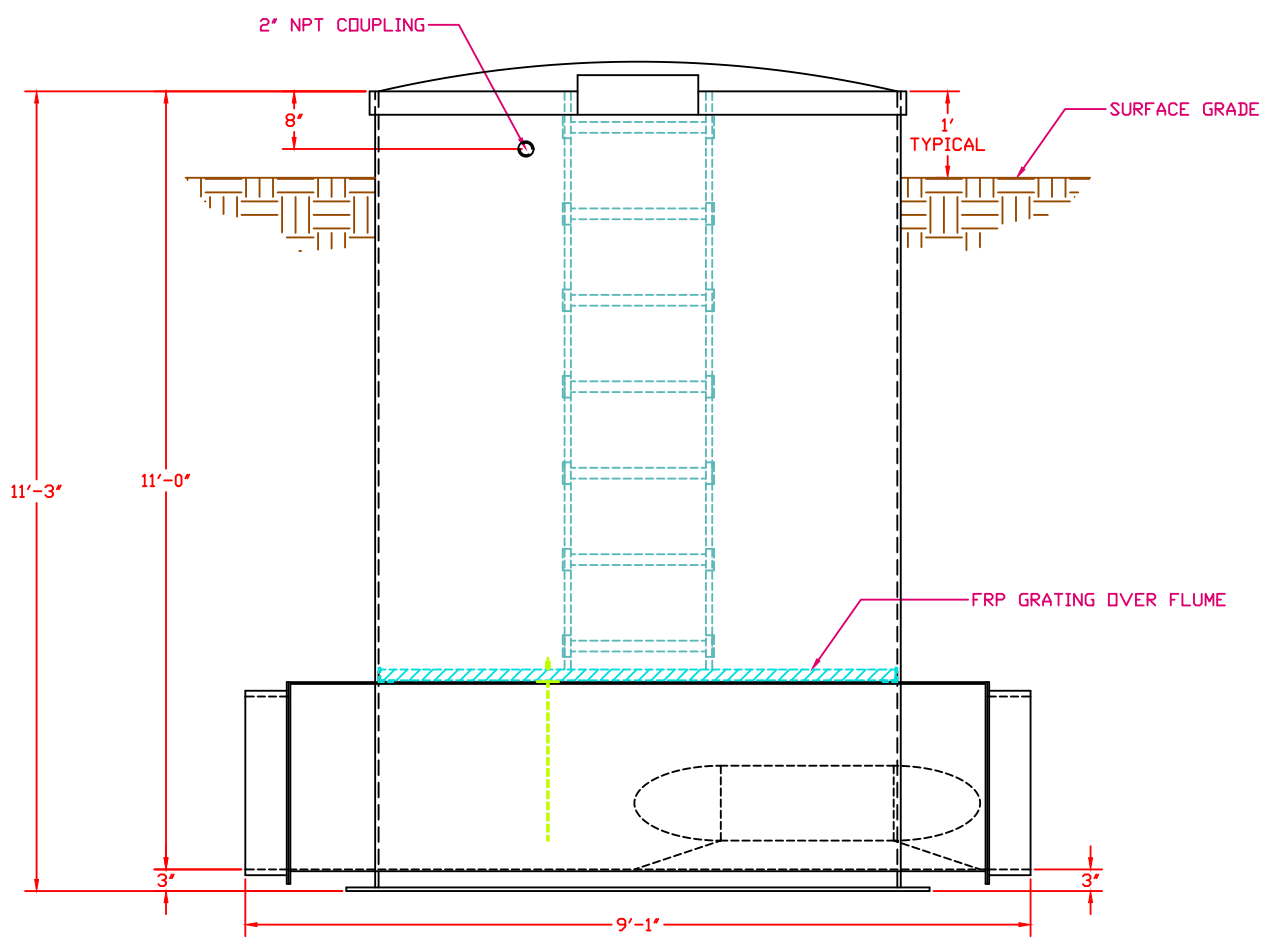


FLOW METER:	ISCO 2110 ULT. / 4230 BUBBLER
CONNECTION:	24" DIA. PIPE
ACCESSORIES:	SS BUBBLE TUBE FRP GRATING OVER FLUME 6" X 6" GRATING CUT-OUT



PLAN VIEW



ELEVATION VIEW

- 1) FLOW IS FROM LEFT TO RIGHT
- 2) MANHOLE BARREL DEPTH NOT TO SCALE

 TRACOM FIBERGLASS PRODUCTS	METERING MANHOLE, 72 INCH DIA., DOME TOP STYLE, 24" PALMER-BOWLUS, 24" STUBS, BUBBLE TUBE, FRP GRATING OVER FLUME, AND 6" X 6" GRATING CUT-OUT	
	DWG. NO. MH-72-D-PB24-P24-N-N-BL-G-A	REV 1
PROJECT NANCY CREEK ATLANTA, GA	DATE 7/27/05	