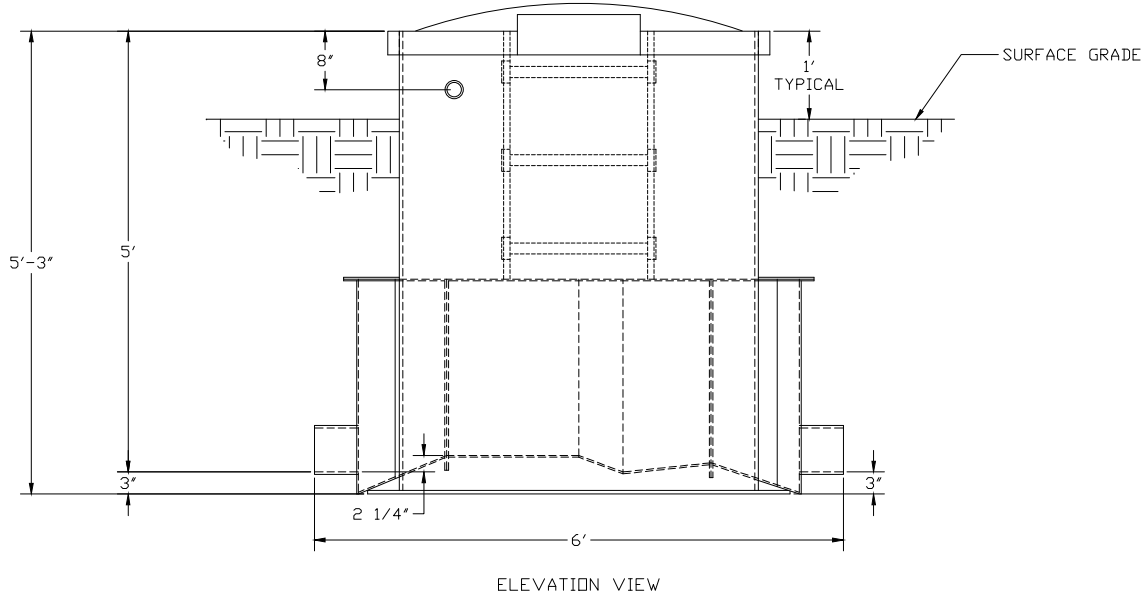
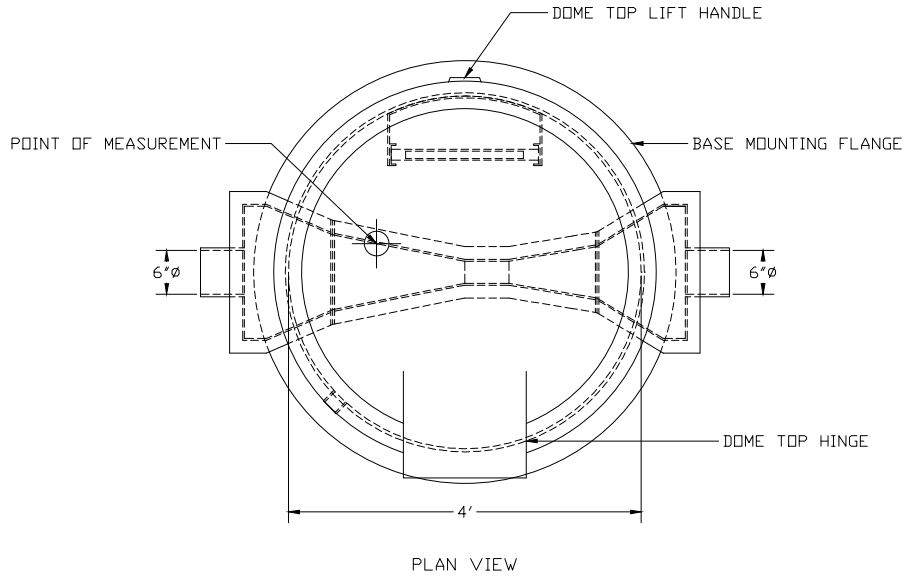



FLOW METER:	ULTRASONIC - (BY OTHERS)
CONNECTION:	6" DIA. C.I./PVC PIPE
ACCESSORIES:	NONE



1) FLOW IS FROM LEFT TO RIGHT

 FIBERGLASS PRODUCTS	METERING MANHOLE, 48 INCH DIA., DOME TOP STYLE, 3" PARSHALL FLUME, AND 6" PIPE STUBS	
	DWG. NO. MH-48-D-PAR03-P6-N-N-N-N-N	REV 0
PROJECT	DATE 6/25/04	