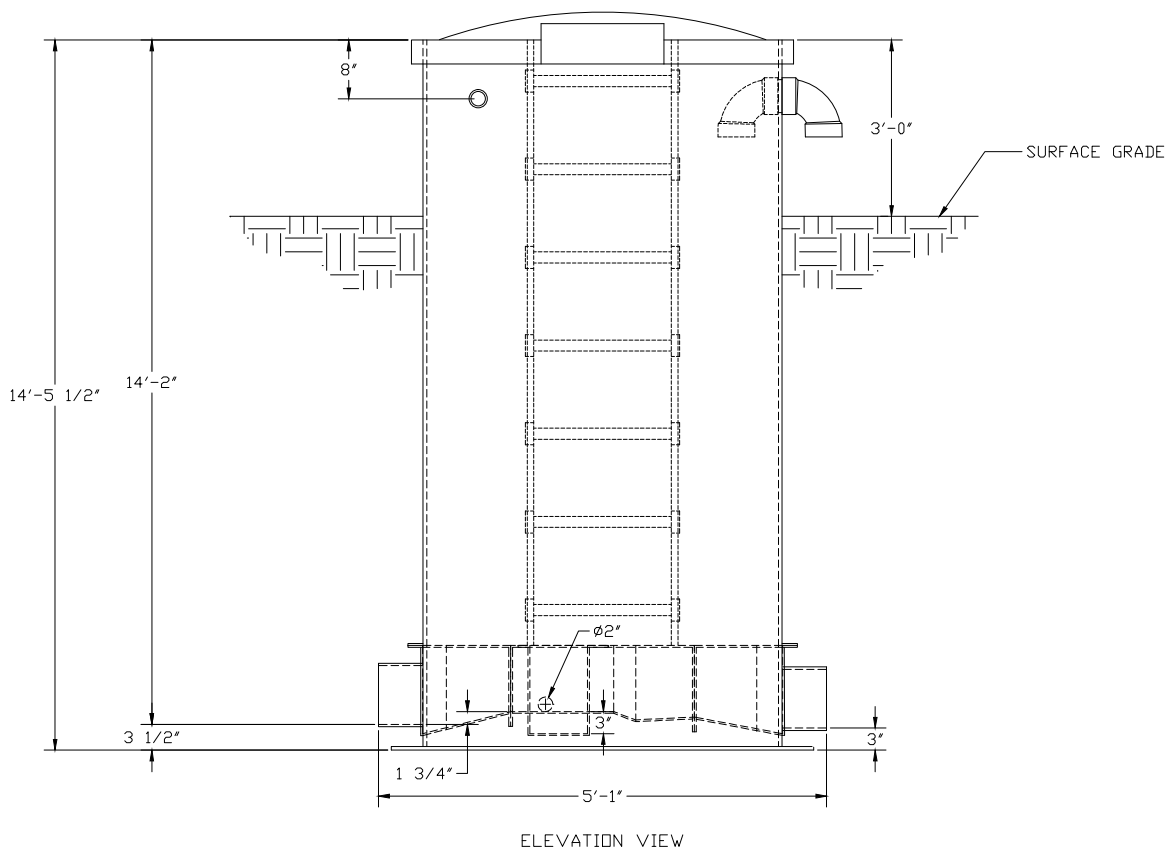
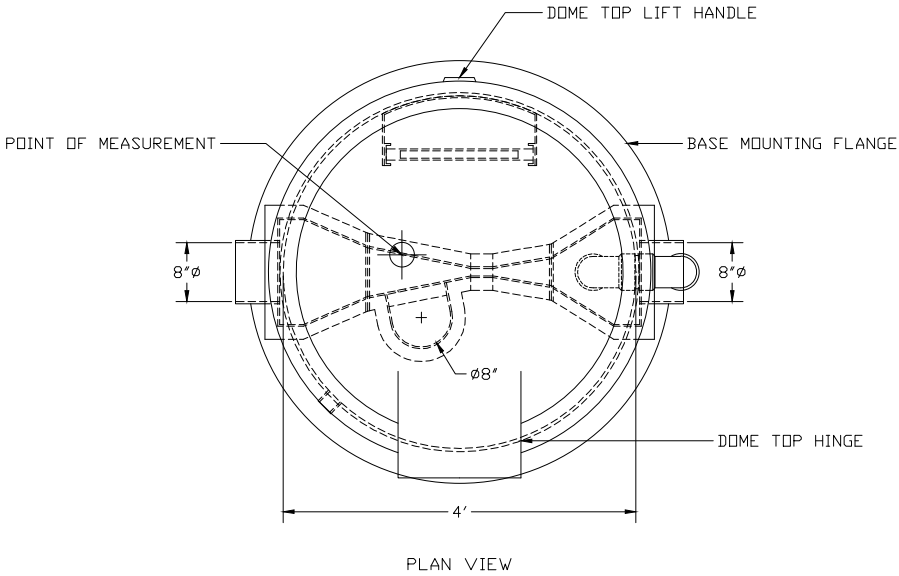



FLOW METER:	ULTRASONIC - (BY OTHERS)
CONNECTION:	8" DIA. C.I./PVC PIPE
ACCESSORIES:	8" DIA. STILLING WELL
	4" DIA. GOOSENECK VENT
	GRAY CLOUD EXTERIOR GEL COAT



- 1) FLOW IS FROM LEFT TO RIGHT
- 2) MANHOLE BARREL DEPTH NOT TO SCALE
- 3) GRAY CLOUD EXTERIOR GEL COAT

 FIBERGLASS PRODUCTS	METERING MANHOLE, 48 INCH DIA., DOME TOP STYLE, 1" PARSHALL FLUME, 8" STUBS, 8" DIA. STILLING WELL (RIGHT), GOOSENECK VENT, AND GRAY CLOUD EXTERIOR GEL COAT	
	DWG. NO. MH-48-D-PAR01-P8-A8R-N-N-N-VA	REV 0
PROJECT		DATE 2/13/09