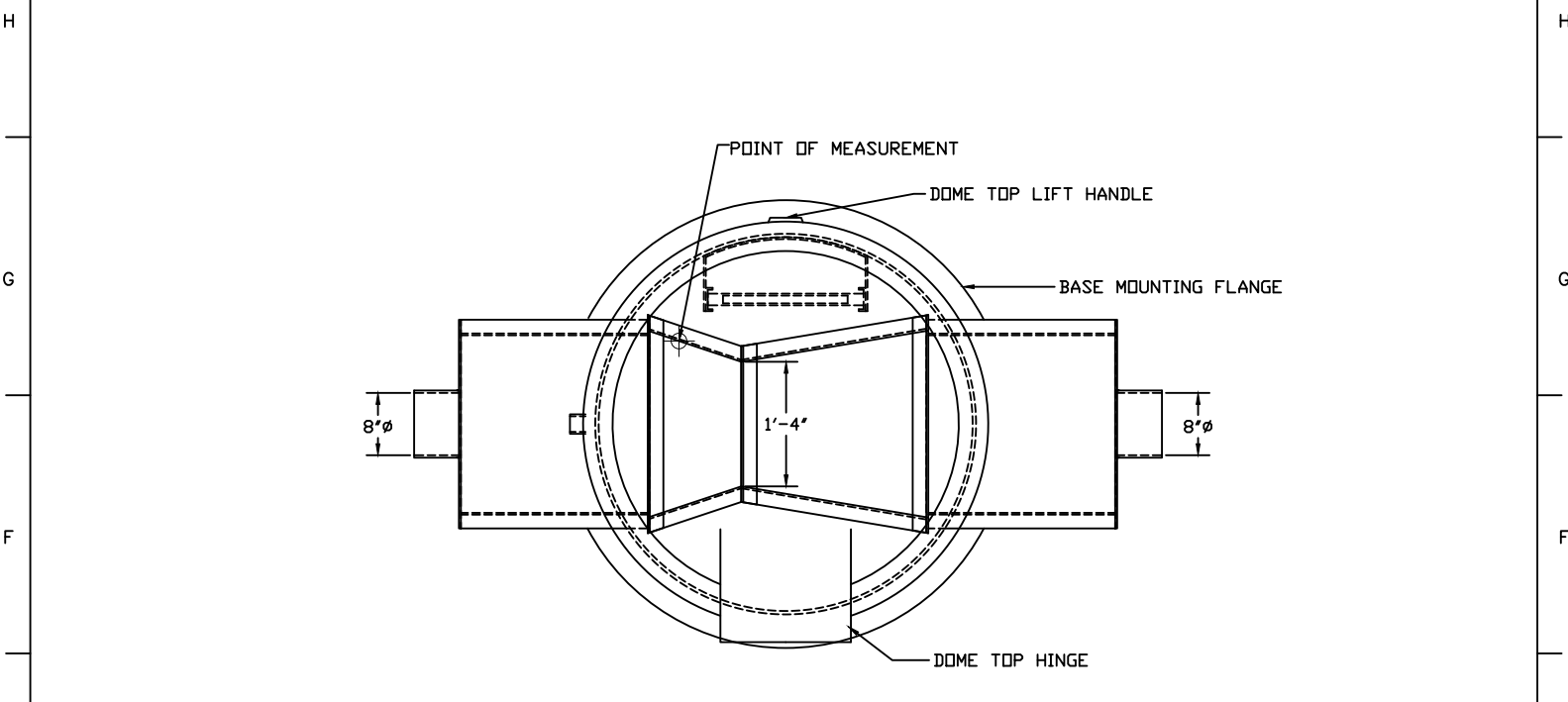
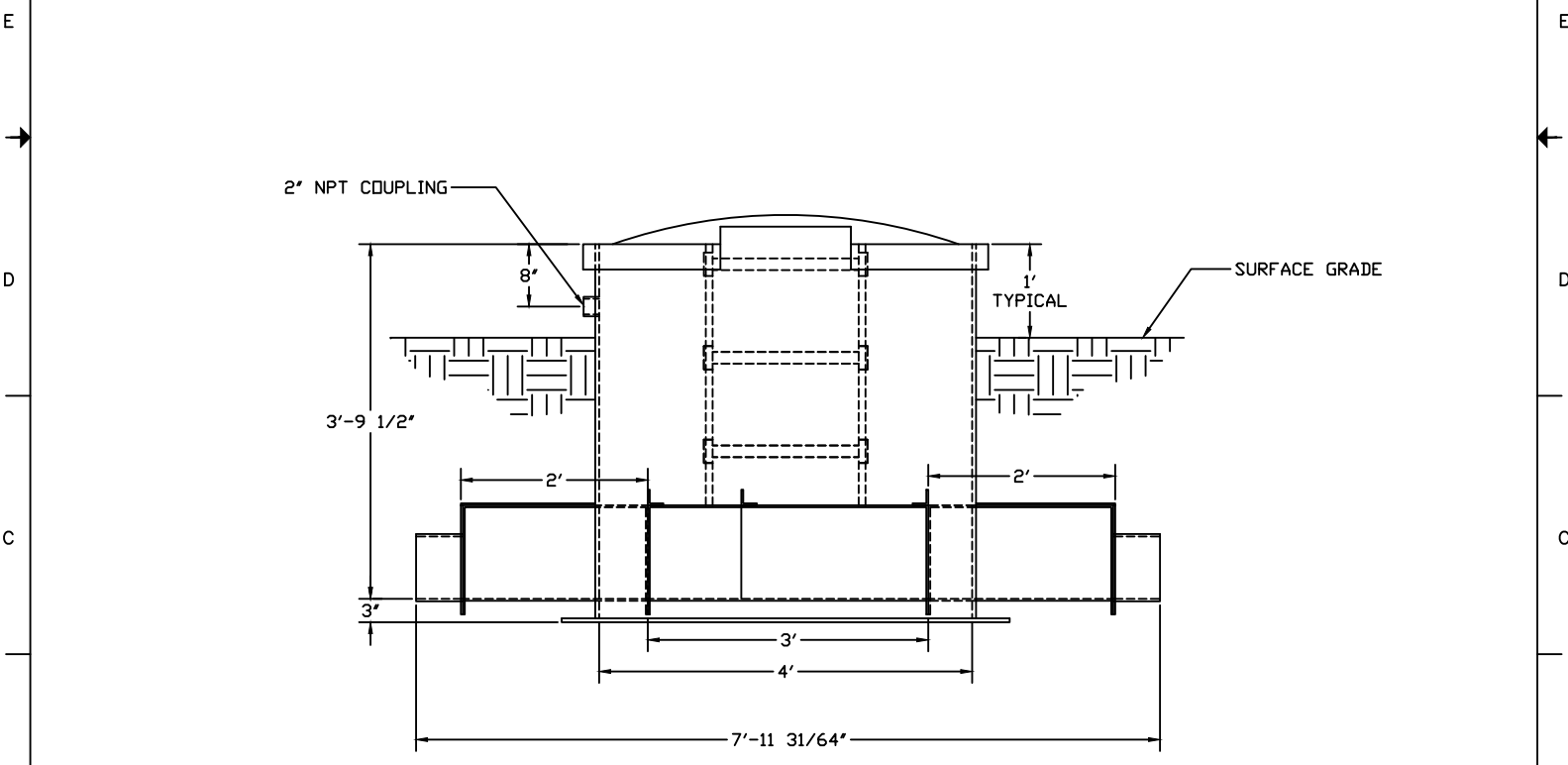


8 7 6 5 4 3 2 1

FLOW METER:	ULTRASONIC
CONNECTION:	8" DIA. C.I./PVC PIPE
ACCESSORIES:	N/A




PLAN VIEW



ELEVATION VIEW

1) FLOW IS FROM LEFT TO RIGHT

 FIBERGLASS PRODUCTS	METERING MANHOLE, 48 INCH DIA., DOME TOP STYLE, WITH 36x16 CUTTHROAT FLUME, 8" PIPE STUBS	
	DWG. NO. MH-48-D-CT36X16-P8-N-N-N-N-N	REV 0
PROJECT	REFERENCE DRAWING	DATE 6/6/19

8 7 6 5 4 3 2 1