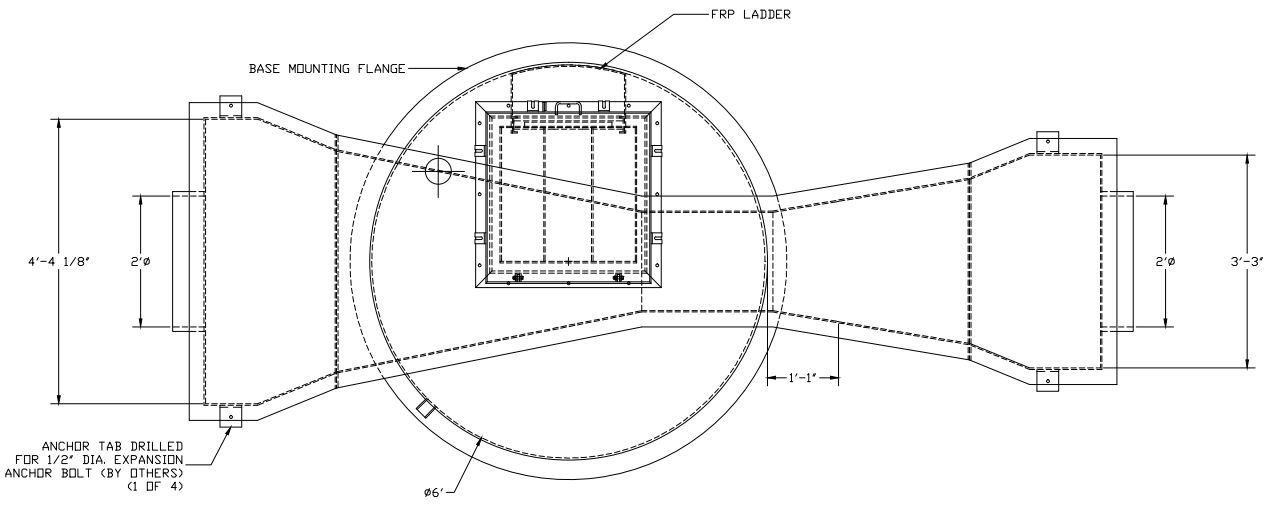
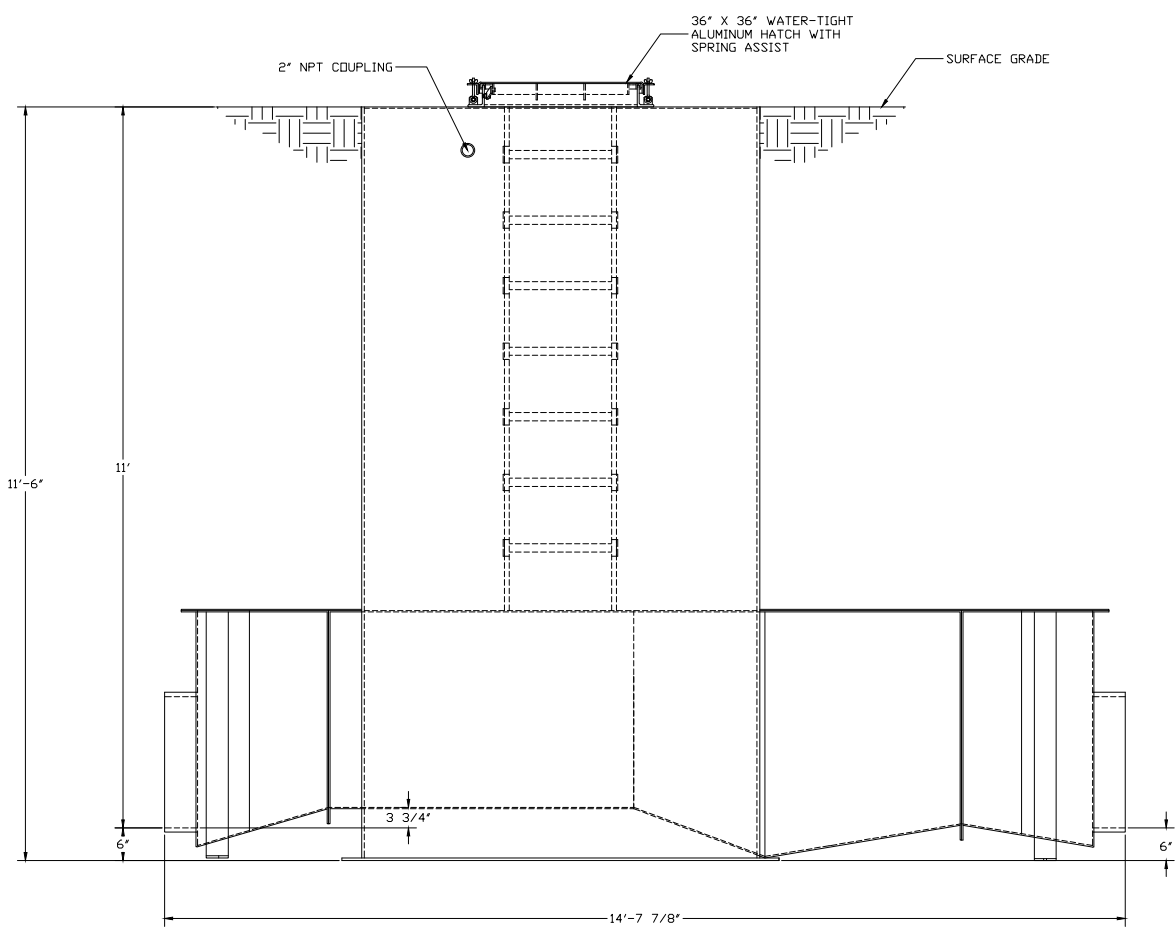


FLOW METER:	ULTRASONIC
CONNECTION:	24" DIA. PIPE (SPECIFY O.D.)
ACCESSORIES:	NONE




PLAN VIEW



ELEVATION VIEW

- 1) FLOW IS FROM LEFT TO RIGHT
- 2) LADDER ASSIST NOT SHOWN FOR CLARITY
- 3) 72" DIA. RIBBED MANHOLE TUBE (RIBS NOT SHOWN FOR CLARITY)
- 4) PRODUCTION HATCH DETAILS MAY DIFFER FROM REPRESENTATION

 FIBERGLASS PRODUCTS	METERING MANHOLE, 72 INCH DIA., PEDESTRIAN LOADIG STYLE, WITH 36" X 36" WATER-TIGHT HATCH WITH SPRING ASSIST, 18" PARSHALL FLUME, AND 24" PIPE STUBS	
	DWG. NO. MH-72-ALWT-PAR18-P24-N-N-N-N-N	REV 0
PROJECT	CITY OF ATLANTA JEFFERSON	DATE 6/2/09