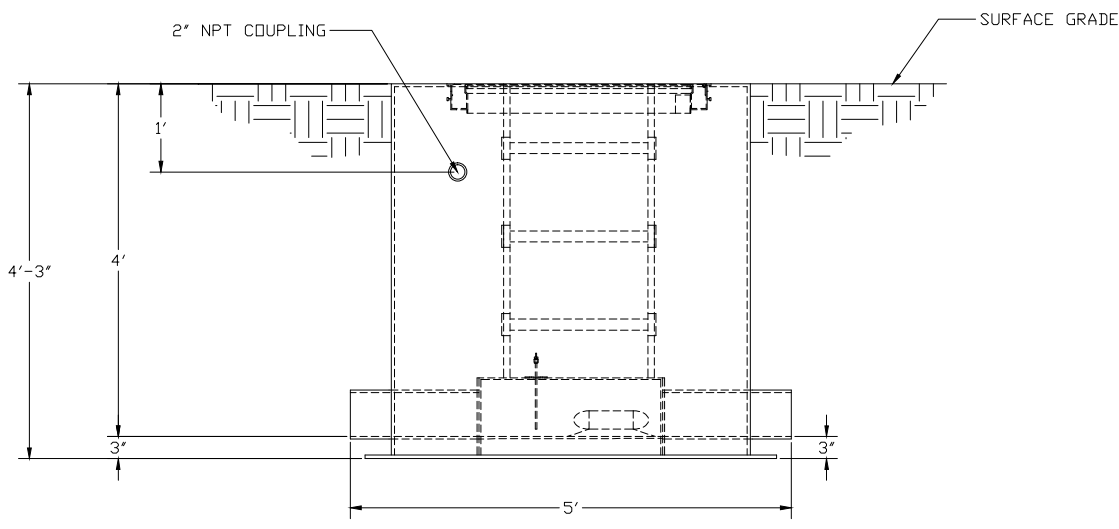
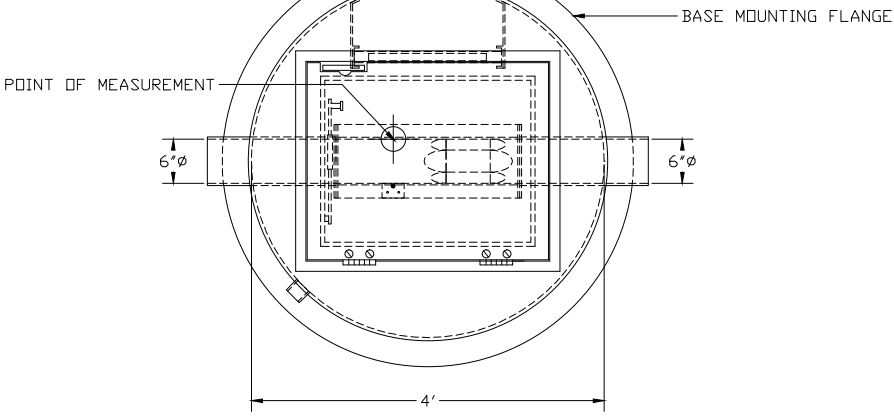



FLOW METER:	COA ISCO 4230
CONNECTION:	6" DIA. PVC PIPE
ACCESSORIES:	SS BUBBLE TUBE



1) FLOW IS FROM LEFT TO RIGHT

 FIBERGLASS PRODUCTS	METERING MANHOLE, 48" INCH DIA., ALUMINUM HATCH STYLE, 30" W X 24" D NON-WATERTIGHT HATCH, WITH 6" PALMER-BOWLUS FLUME, 6" STUBS, AND BUBBLE TUBE (RIGHT)	
	DWG. NO. MH-48-ALNWT30X24-PB06-P6-N-N-BR-N-N	REV 0
PROJECT	FACILITY GROUP ATLANTA, GA	DATE 7/22/03