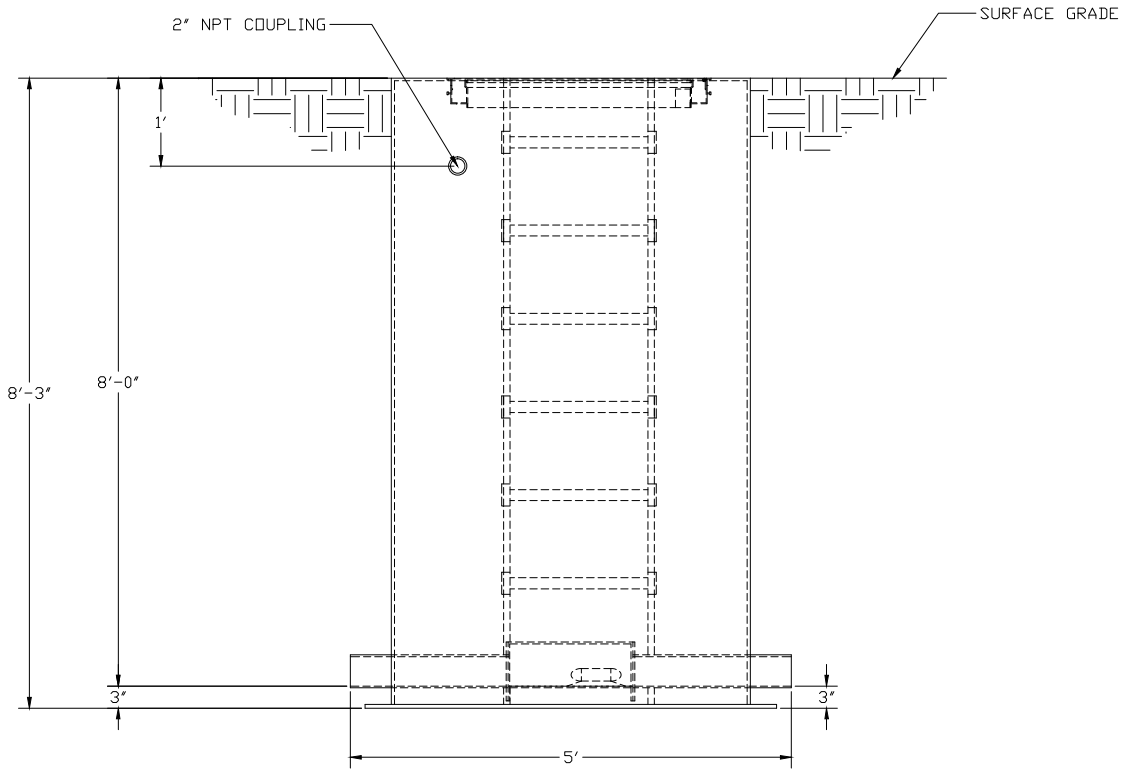
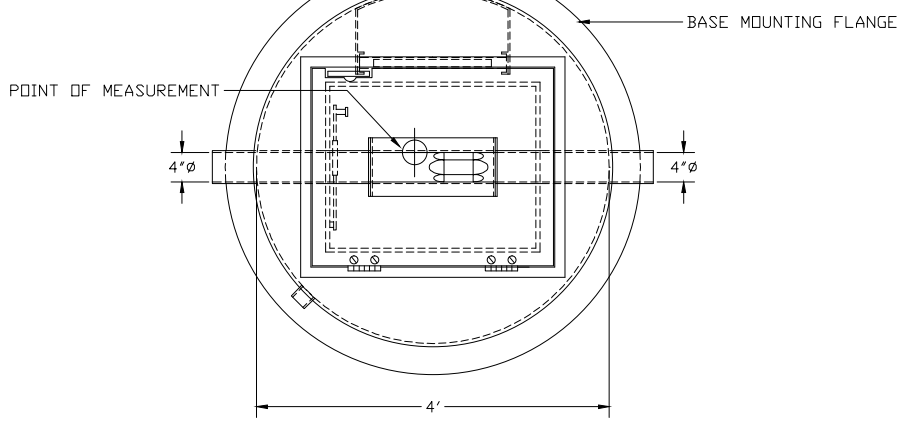



FLOW METER:	N/A
CONNECTION:	4" DIA. C.I./PVC PIPE
ACCESSORIES:	STAINLESS STEEL BUBBLE TUBE



 FIBERGLASS PRODUCTS	METERING MANHOLE, 48 INCH DIA., ALUMINUM HATCH STYLE, 30" W X 24" D NON-WATERTIGHT HATCH, WITH 4" PALMER-BOWLUS FLUME AND 4" STUBS	
	DWG. NO. MH-48-ALNWT30X24-PB04-P4-N-N-N-N-N	REV 0

- 1) FLOW IS FROM LEFT TO RIGHT
- 2) MANHOLE BARREL HEIGHT NOT TO SCALE

PROJECT	TEGRANT	DATE	7/25/07
---------	---------	------	---------