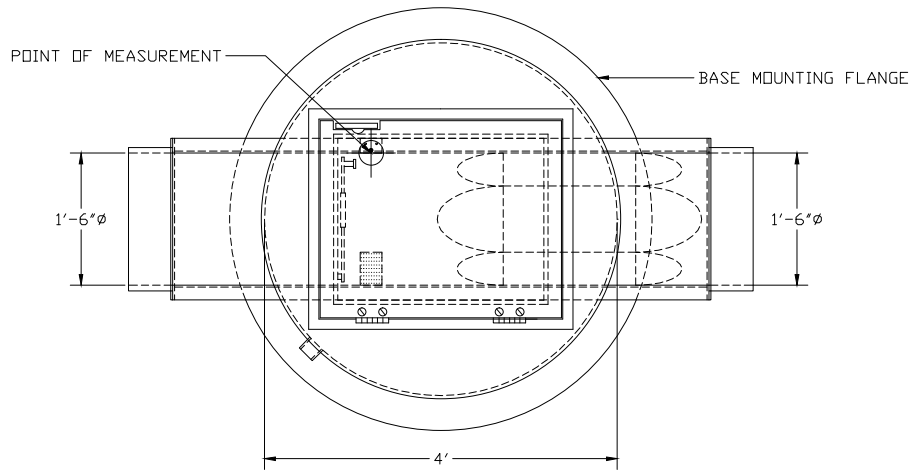
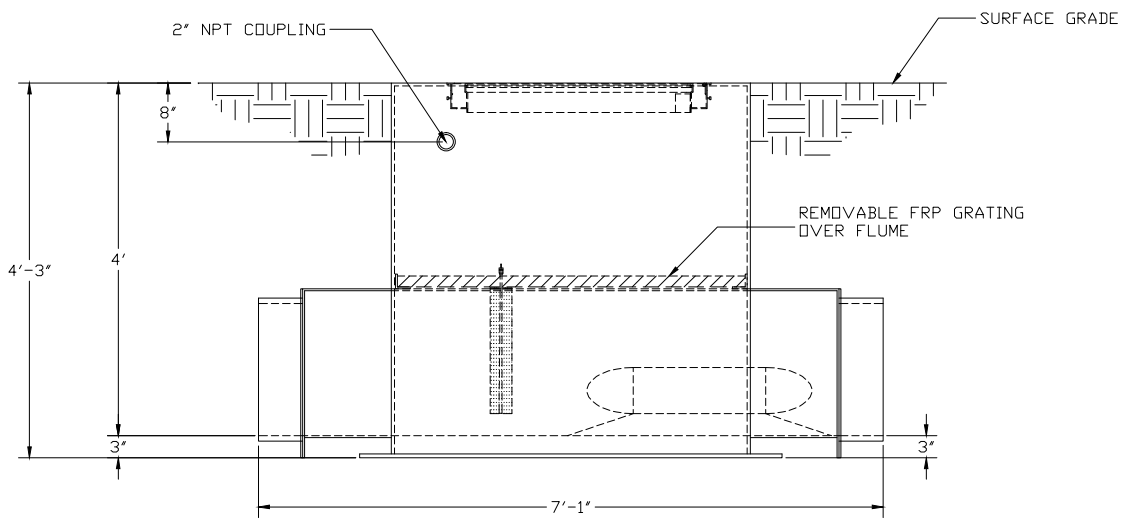


FLOW METER:	ISCO 4230 BUBBLER
CONNECTION:	18" DIA. PIPE
ACCESSORIES:	STAFF GAUGE (AD/ENGLISH)
	SS BUBBLE TUBE
	FRP GRATING




PLAN VIEW
(FRP GRATING NOW SHOWN FOR CLARITY)



ELEVATION VIEW

- 1) FLOW IS FROM LEFT TO RIGHT
- 2) ANCHOR BOLTS BY OTHERS

 FIBERGLASS PRODUCTS	METERING MANHOLE, 48 INCH DIA., ALUMINUM HATCH STYLE, 30" W X 24" D NON-WATERTIGHT HATCH, WITH 18" PALMER-BOWLUS FLUME, 18" PIPE STUBS, STAFF GAUGE (TENTHS) (RIGHT), BUBBLE TUBE (LEFT), AND FRP GRATING	
	DWG. NO. MH-48-ALNWT30X24-PB18-P18-N-ER-BL-N-G	REV O
PROJECT SHAW INDUSTRIES - PLANT 23 DALTON, GA	DATE 10/2/03	