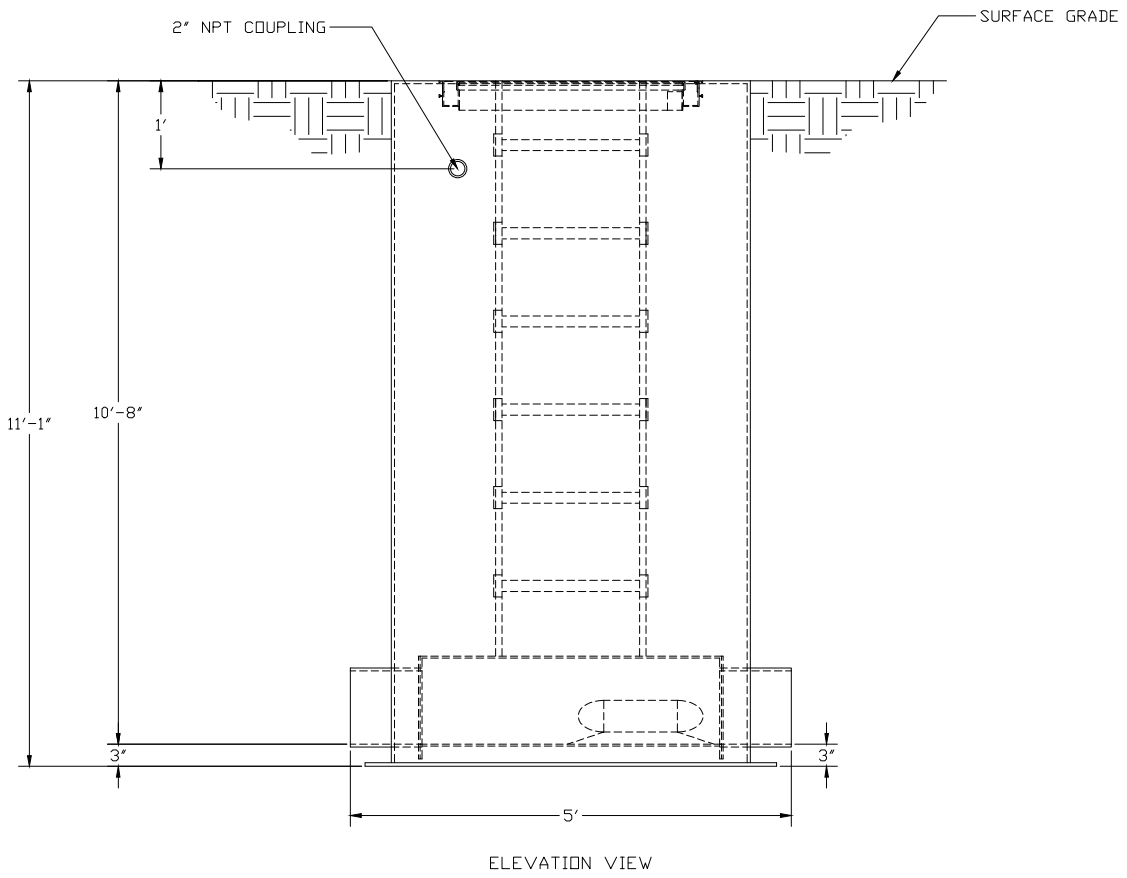
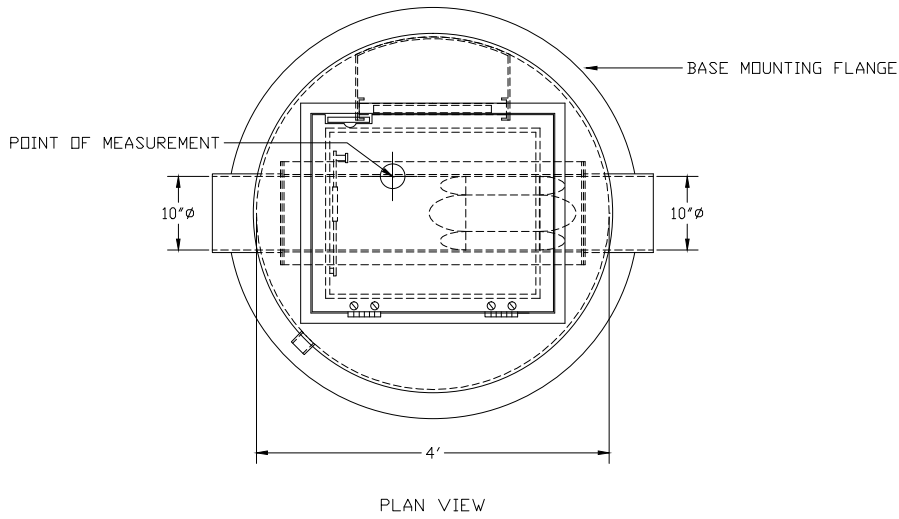


FLOW METER:	ULTRASONIC - (BY OTHERS)
CONNECTION:	12" DIA. PIPE
ACCESSORIES:	10" X 12" ECCENTRIC BOOTS



- 1) FLOW IS FROM LEFT TO RIGHT
- 2) ANCHOR BOLTS BY OTHERS
- 3) MANHOLE BARREL HEIGHT NOT TO SCALE
- 4) 10" X 12" ECCENTRIC FLEXIBLE PVC BOOTS

TRACOM FIBERGLASS PRODUCTS	METERING MANHOLE, 48 INCH DIA, ALUMINUM HATCH STYLE, 30" W X 24" D NON-WATERTIGHT HATCH, WITH 10" PALMER-BOWLUS FLUME, 10" PIPE STUBS, AND 10" X 12" ECCENTRIC BOOTS	
	DWG. NO. MH-48-ALNWT30X24-PB10-P10-N-N-N-N-A	REV 0
PROJECT CLIPPER CONTROLS, INC. SAN FRANCISCO, CA	DATE 7/05/05	