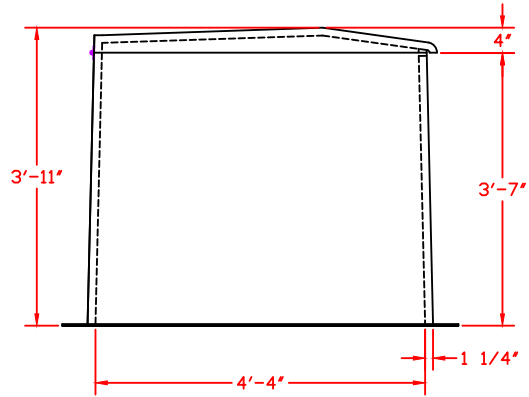
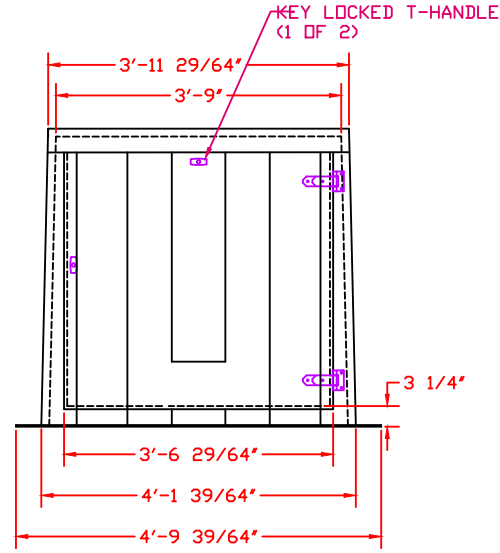


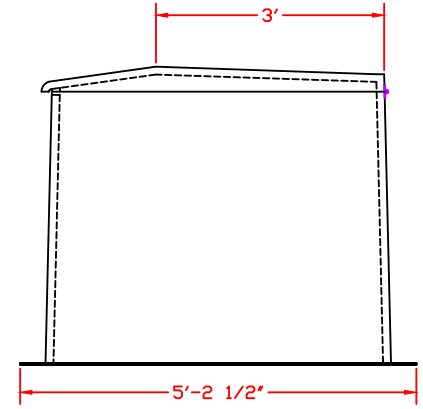
EXTERIOR COLOR: #1555 WHALE BONE	DOOR HDR:	SS STRAP HINGES - MIH 6521-SS
INTERIOR COLOR: #1555 WHALE BONE		SS PIANO HINGE - M 1582A115
INSULATION: 1" (R~7)		(2) SS KEY LOCKED T-HANDLES
LOUVERS: N/A		(2) SS SELF-LOCKING DOOR
ACCESSORIES: N/A		SUPPORT ARMS - MIH 107716



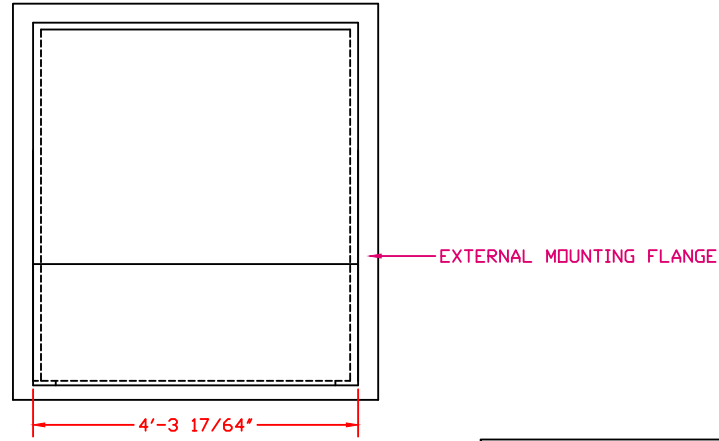
LEFT ELEVATION



FRONT ELEVATION



RIGHT ELEVATION



PLAN VIEW

- 1) INTEGRAL FLOOR
- 2) ANCHOR BOLTS BY OTHERS

	MODEL 200-099 ENCLOSURE, 49-1/2" W X 54-1/2" D X 47" H, WITH WHALE BONE GEL COAT	
	DWG. NO. ENCL-200-099-01	REV 0
PROJECT STANDARD ENCLOSURE	DATE 7/8/16	