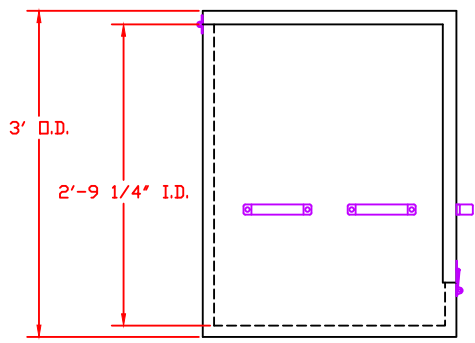
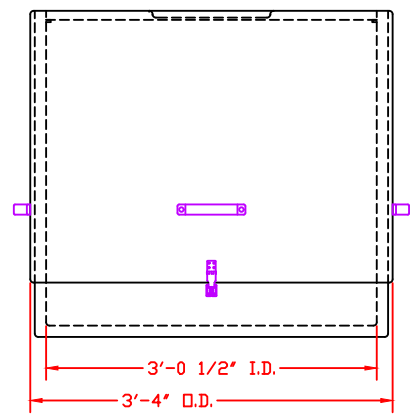


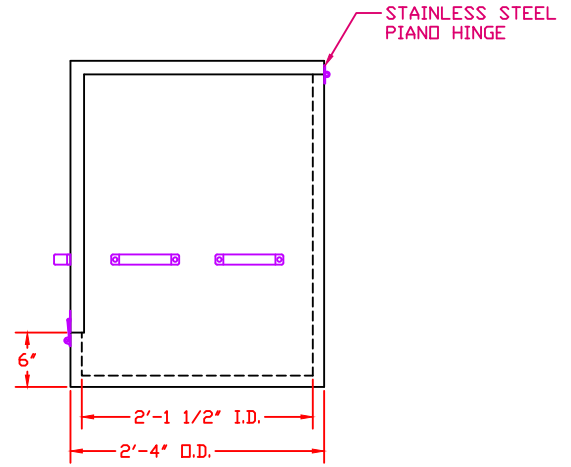
EXTERIOR COLOR: #1555 WHALE BONE	HDR:	SS HASP - M 1304A24
INTERIOR COLOR: #1555 WHALE BONE		SS PIANO HINGE - M 1582A115
INSULATION: 1" (R~7)		(5) LIFT HANDLES - M 13665A27
ACCESSORIES: NONE		LIFT ARM - MIH 107716



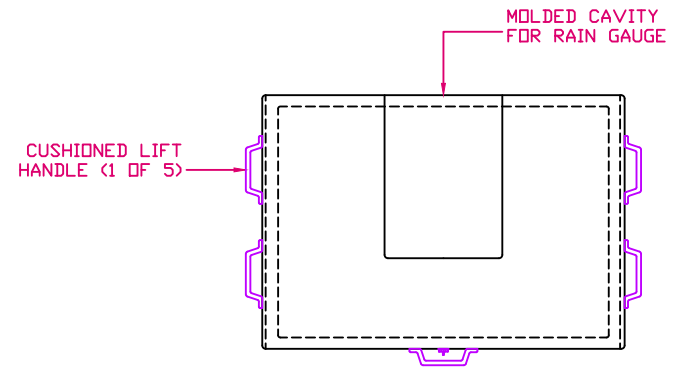
LEFT ELEVATION



FRONT ELEVATION



RIGHT ELEVATION



PLAN VIEW

- 1) INTEGRAL FLOOR
- 2) SELF-LOCKING DOOR SUPPORT ARM NOT SHOWN FOR CLARITY

	MODEL 200-071 ENCLOSURE, 40" W X 28" D X 36" H	
	DWG. NO. ENCL-200-071-01	REV 0
PROJECT	REFERENCE DRAWING	DATE 2021.09.20