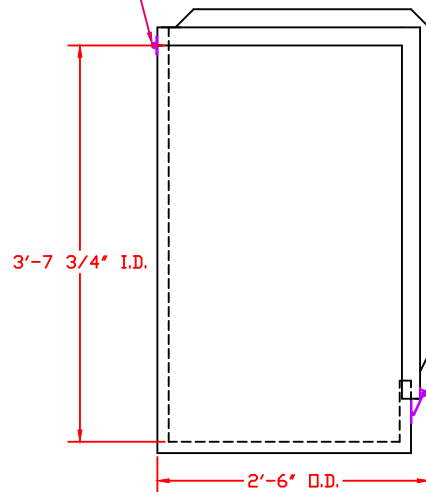
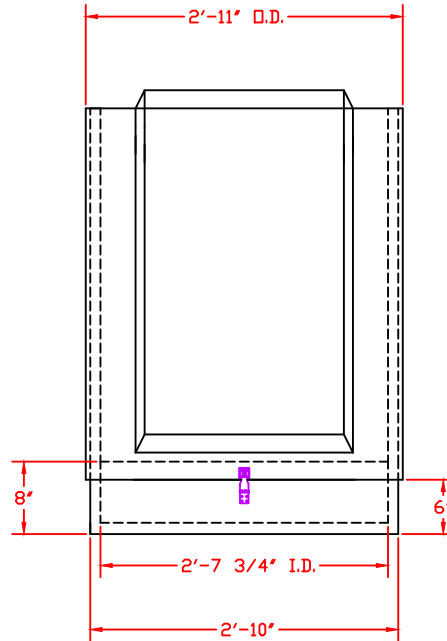


EXTERIOR COLOR: #1555 WHALE BONE	DOOR HDR:	SS PIANO HINGE - M 1582A115
INTERIOR COLOR: #1555 WHALE BONE		(2) SELF-LOCKING SUPPORT ARMS
INSULATION: 1" (R~7)		SS LOCKABLE HASP - M 1304A24
ACCESSORIES: NONE		

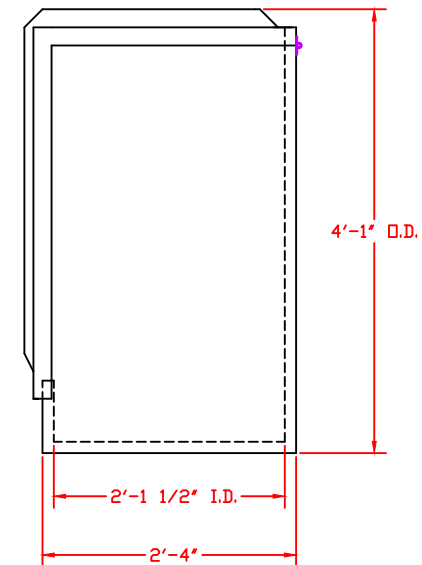
STAINLESS STEEL
PIANO HINGE



LEFT ELEVATION




FRONT ELEVATION



RIGHT ELEVATION

- 1) INTEGRAL FLOOR
- 2) STAINLESS STEEL LOCKABLE HASP
- 3) STAINLESS STEEL CONTINUOUS PIANO HINGE
- 4) (2) SELF-LOCKING DOOR SUPPORT ARMS

 FIBERGLASS PRODUCTS	MODEL 200-041 GULLWING ENCLOSURE 35" W X 30" D X 49" H	
	DWG. NO. ENCL-200-041-01	REV 0
PROJECT STANDARD ENCLOSURE SIZE	DATE 2021.09.20	