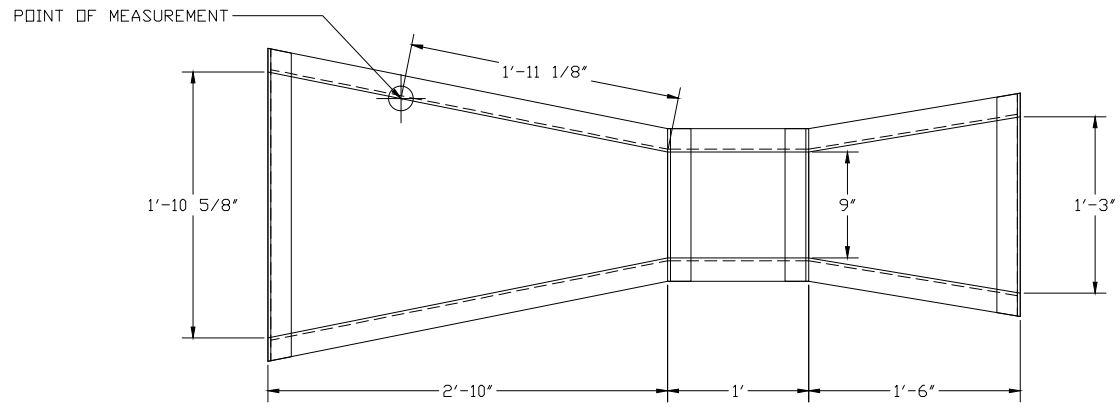
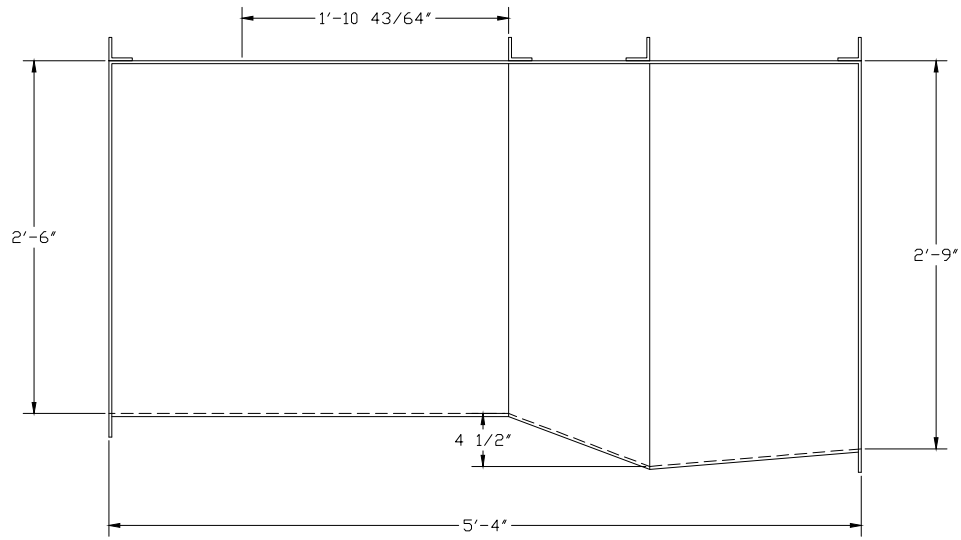


FLOW METER:	N/A
CONNECTION:	N/A
HDR:	2" X 2" PULTRUSION
ACCESSORIES:	NONE



PLAN VIEW



RIGHT ELEVATION

1) FLOW IS FROM LEFT TO RIGHT

	PARSHALL FLUME, SIZE 9 INCH	
	DWG. NO. PAR-9-N-N-N-N-N-N-N	REV 0
PROJECT	STANDARD FLUME SIZE	DATE 3/13/04