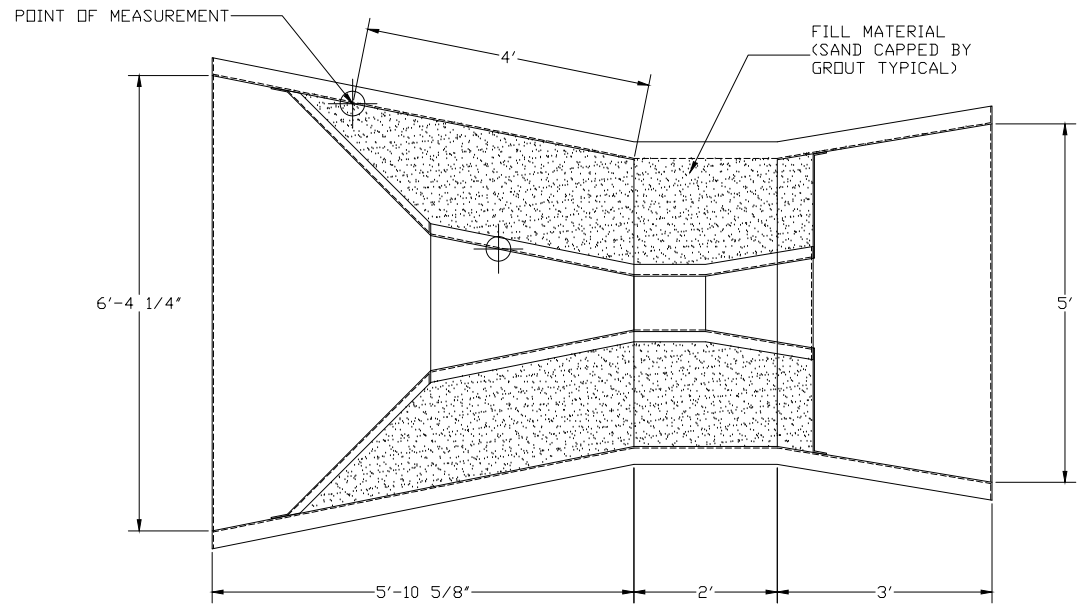
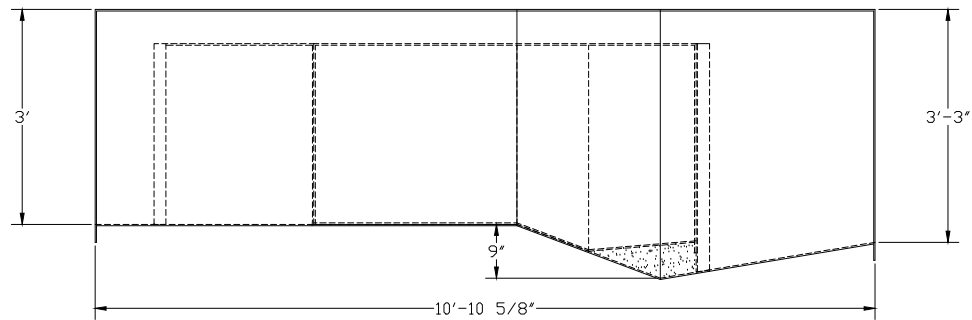


FLOW METER:	N/A
CONNECTION:	N/A
HDR:	2" X 2" PULTRUSION
ACCESSORIES:	NESTED 9" PARSHALL FLUME



PLAN VIEW



RIGHT ELEVATION

- 1) FLOW IS FROM LEFT TO RIGHT
- 2) FILL MATERIALS BY OTHERS
- 3) FRP ANGLES OVER FLUMES NOT SHOWN FOR CLARITY
- 4) FILL SPACES BETWEEN FLUMES WITH APPROPRIATE MATERIAL (SAND CAPPED BY GROUT TYPICAL)

	PARSHALL FLUME, SIZE 48 INCH, WITH NESTED 9" PARSHALL FLUME	
	DWG. NO. PAR-9N48-N-N-N-N-N-N	REV 0
PROJECT TDMA, INC.	DATE 8/31/11	