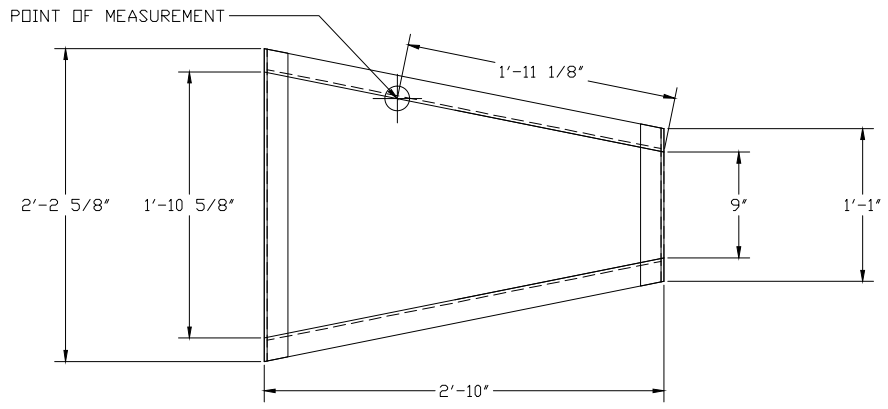
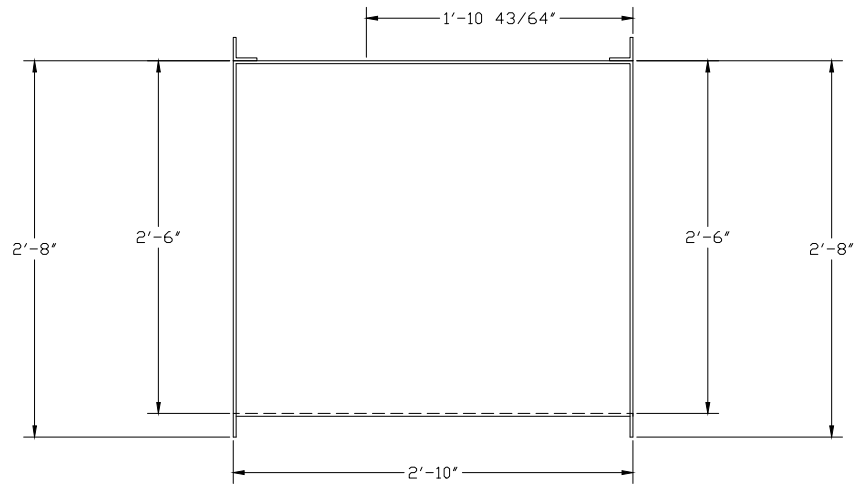


FLOW METER:	N/A
CONNECTION:	N/A
HDR:	2" X 2" PULTRUSION
ACCESSORIES:	NONE



PLAN VIEW



RIGHT ELEVATION

- 1) FLOW IS FROM LEFT TO RIGHT
- 2) MONTANA FLUME CONFIGURATION PER WATER MEASUREMENT MANUAL, THIRD EDITION, P. 8-42.

	MONTANA FLUME, SIZE 9 INCH	
	DWG. NO. MON-9-N-N-N-N-N-N-N	REV 0
PROJECT	STANDARD FLUME SIZE	DATE 8/12/04