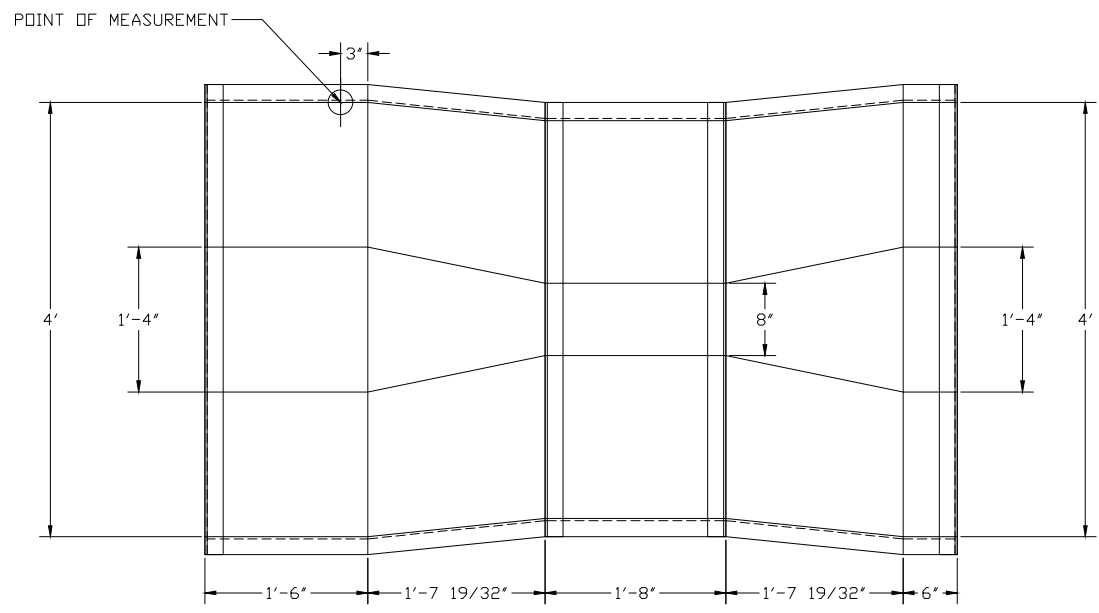
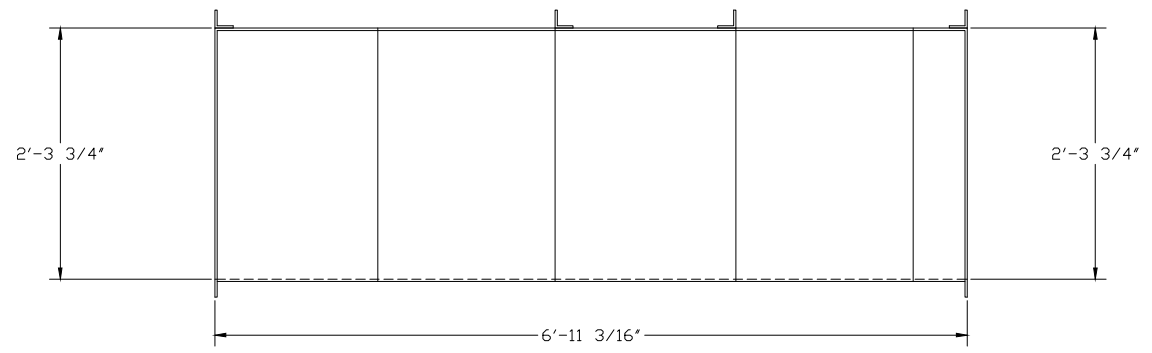


FLOW METER:	N/A
CONNECTION:	N/A
HDR:	2" X 2" PULTRUSION
ACCESSORIES:	NONE



PLAN VIEW



RIGHT ELEVATION

1) FLOW IS FROM LEFT TO RIGHT

	8" 60" TRAPEZOIDAL FLUME	
	DWG. NO. TRAP-860-N-N-N-N-N-N	REV 0
PROJECT	STANDARD FLUME SIZE	DATE 2/27/04