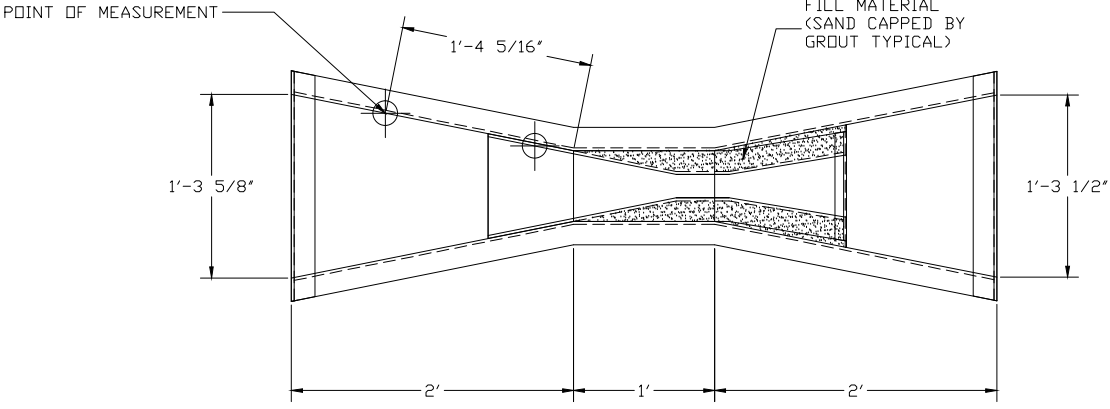
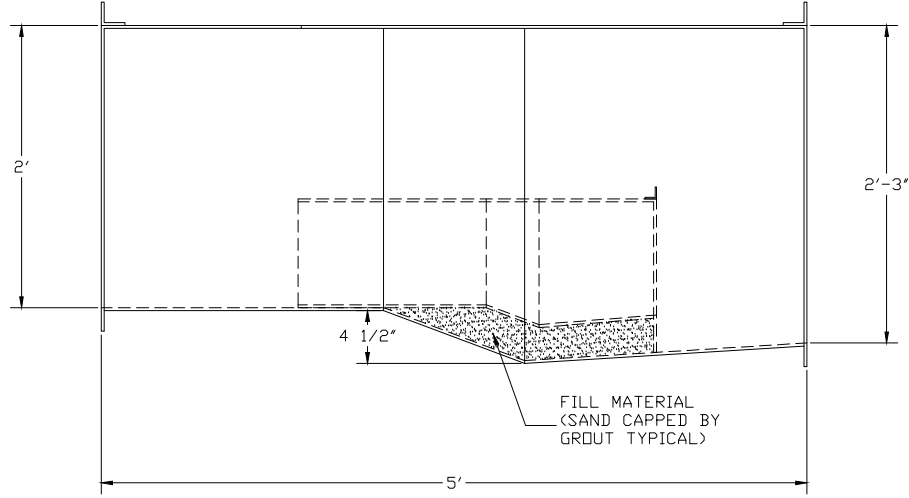


FLOW METER:	N/A
CONNECTION:	CONCRETE CHANNEL
HDR:	2" X 2" PULTRUSION
ACCESSORIES:	NESTED 2" PARSHALL FLUME



PLAN VIEW



RIGHT ELEVATION

- 1) FLOW IS FROM LEFT TO RIGHT
- 2) FILL MATERIALS BY OTHERS
- 3) FRP ANGLES OVER FLUME THROATS NOT SHOWN FOR CLARITY
- 4) FILL SPACES BETWEEN FLUMES (SIDES AND BOTTOM) WITH APPROPRIATE MATERIAL (SAND CAPPED BY GROUT TYPICAL)

<b>TRACOM</b> FIBERGLASS PRODUCTS	PARSHALL FLUME, SIZE 6 INCH, WITH NESTED PARSHALL FLUME, SIZE 2 INCH	
	DWG. NO. PAR-2N6-N-N-N-N-N-N	REV 0
PROJECT	STANDARD FLUME SIZE	DATE 10/3/07