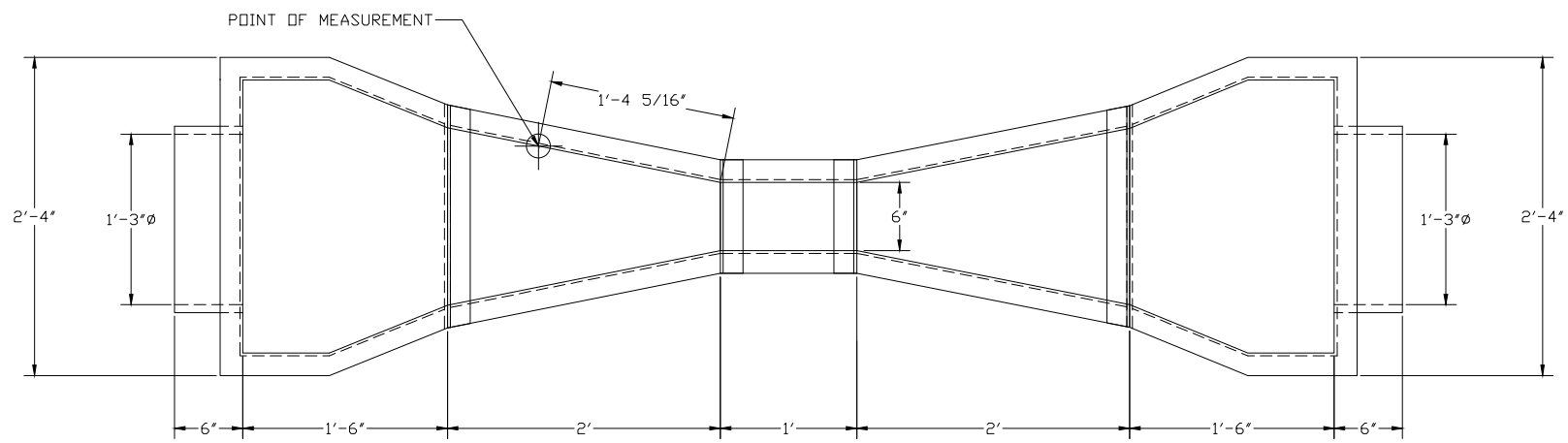
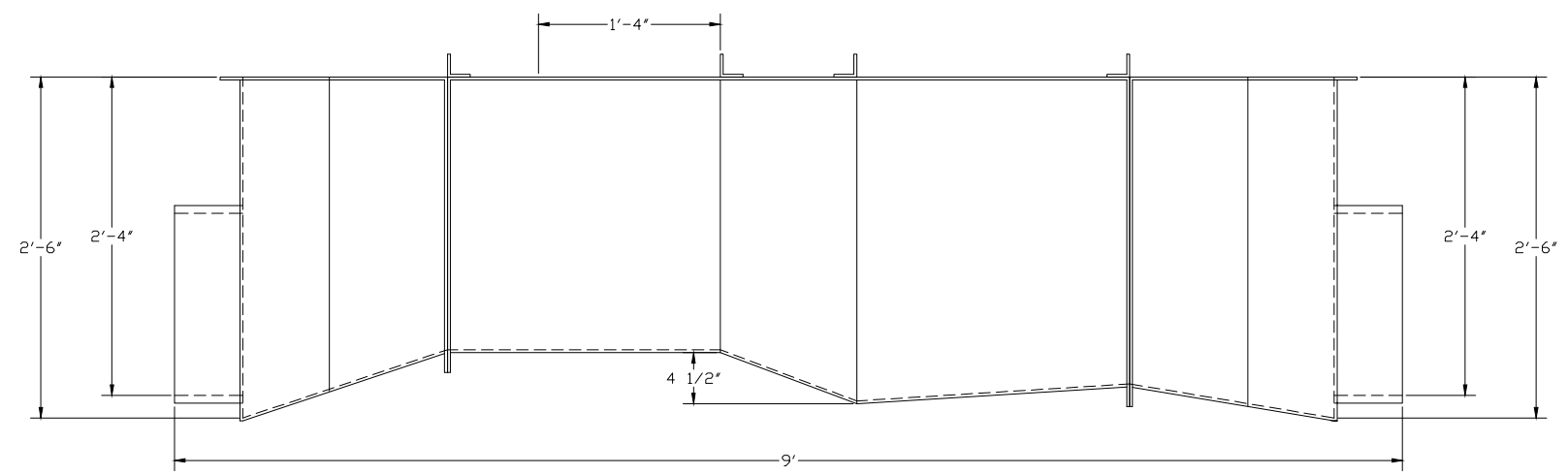


FLOW METER:	N/A
CONNECTION:	N/A
HDR:	2" X 2" PULTRUSION
ACCESSORIES:	NONE



PLAN VIEW



RIGHT ELEVATION

1) FLOW IS FROM LEFT TO RIGHT

	PARSHALL FLUME, SIZE 6", WITH INLET AND OUTLET END ADAPTERS, AND 15" PIPE STUBS	
	DWG. NO. PAR-6-B-P15-N-N-N-N	REV 0
PROJECT STANDARD FLUME SIZE	DATE 6/19/03	