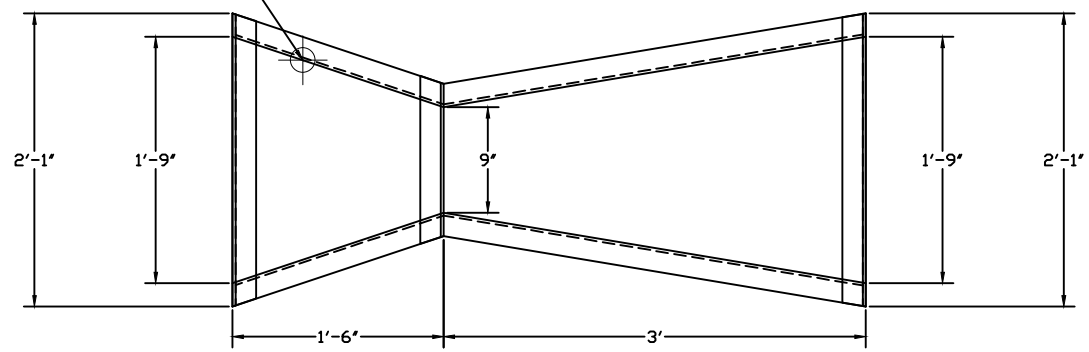
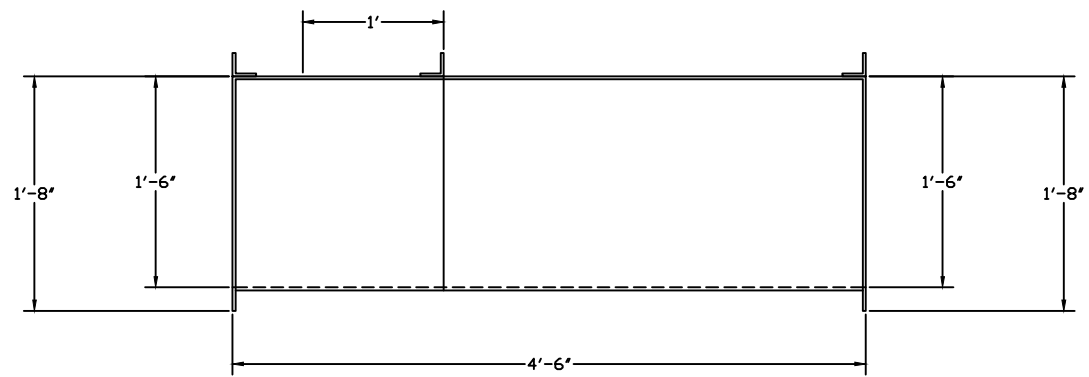


FLOW METER:	N/A
CONNECTION:	N/A
HDR:	2" X 2" PULTRUSION
ACCESSORIES:	NONE

POINT OF MEASUREMENT




PLAN VIEW



RIGHT ELEVATION

1) FLOW IS FROM LEFT TO RIGHT

 FIBERGLASS PRODUCTS	54" L X 9" W CUTTHROAT FLUME	
	DWG. NO.	CT-54X9-N-N-N-N
PROJECT	METRO WASTEWATER RECLAMATION DISTRICT DENVER, CO	DATE 9/20/04

REV 0