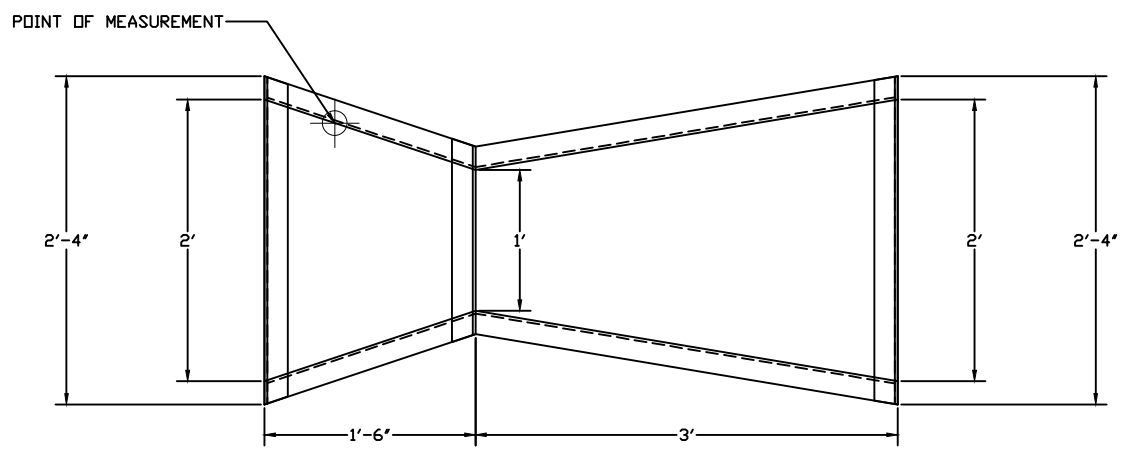
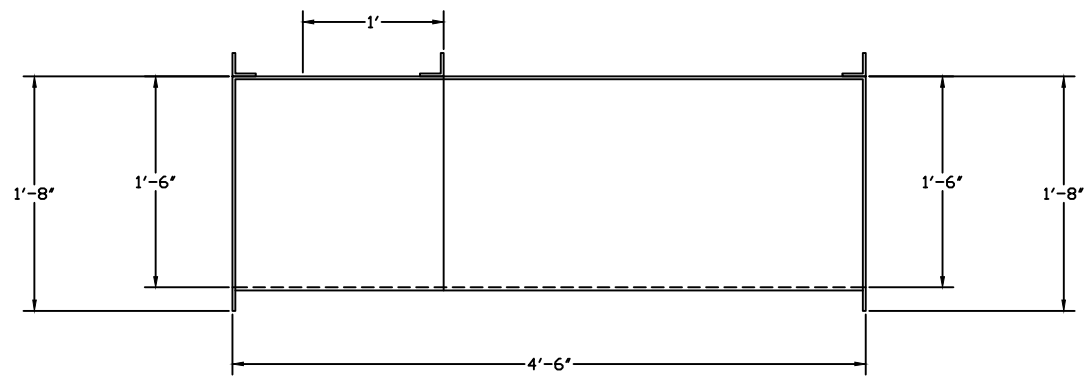


FLOW METER:	N/A
CONNECTION:	N/A
HDR:	2" X 2" PULTRUSION
ACCESSORIES:	NONE



PLAN VIEW



RIGHT ELEVATION

1) FLOW IS FROM LEFT TO RIGHT

	54" L X 12" W CUTTHROAT FLUME	
	DWG. NO. CT-54X12-N-N-N-N	REV 0
PROJECT	I-20 WATER RECLAMATION FACILITY MADISON, GA	DATE 11/2/04